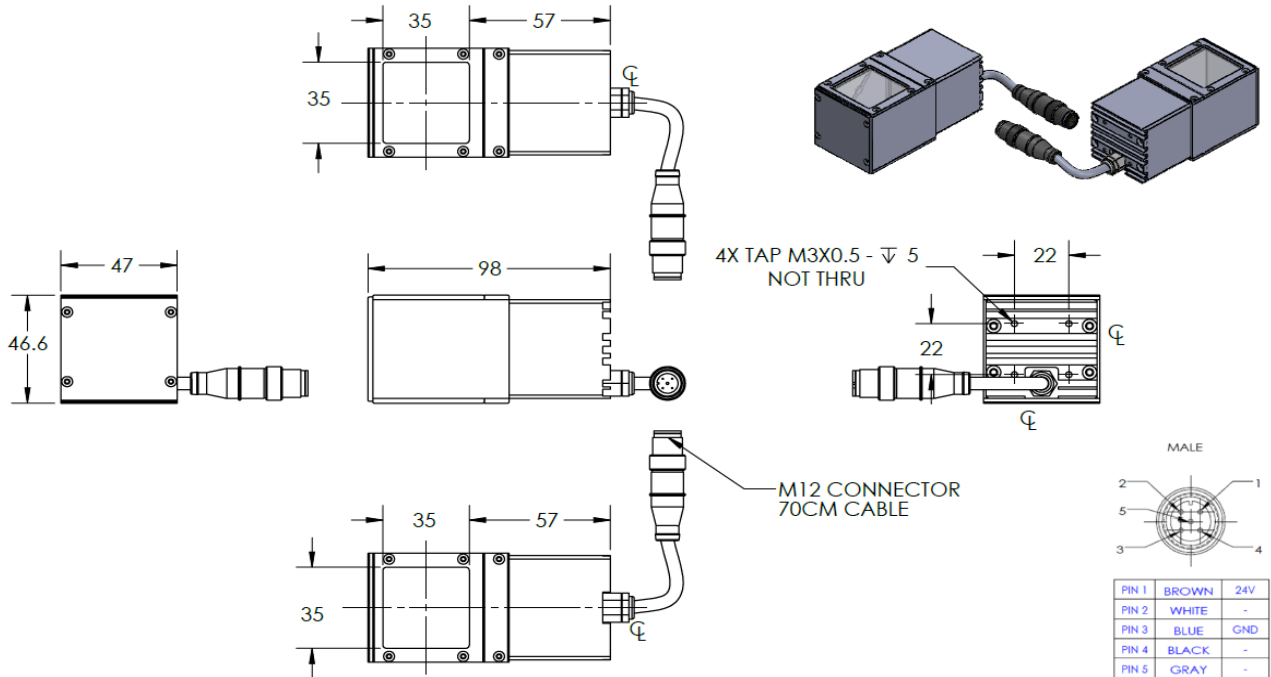


## MCAX-00-035-X-B-24V

### Lighting Dimension



Mechanical Information	
Casing Material	Aluminium
Storage & Operating Temperature Range	Temp 0 - 45°C, Humidity 20-85%
Weight	269 g
Length / Outer Diameter	98 mm
Width / Inner Diameter	47 mm
Thickness / Height	46.6 mm



## MCAX-00-035-X-B-24V

Optical Information			
Part Number	MCAX-00-035-X-B-24V		
LED Colour	BLUE		
Wavelength	(nm)	470	
Intensity ( ±15%)	(Lux)	5467	3124
Working Distance	(mm)	20	50
Illumination (number of rows)	X		
Illumination Active Area			
Active Length / Outer Diameter	(mm)	35	
Active Width / Inner Diameter	(mm)	35	
Emission Angle	(deg.)	0	
Eye Safety Class ( IEC62471)	EXEMPT		
<b>*CHROMATICITY TABLE</b>			
Electrical Information			
Lighting Supply Voltage (constant voltage mode)		24V ± 2%	
Continuous Current	(mA)	160	
Power Consumption	(W)	3.84	
Lighting Casing Temperature, Operating after 60 minutes	°C	48.9	
Strobe Mode Specification			
Pulse Operation		YES	
Max. Lighting Supply Voltage (constant voltage power supply)	(V)	Pulsing at 24VDC to 48VDC, 0-10% Duty Cycle, Recommended at 36VDC	
Pulse Current, (Max. 10 msec) (constant current power supply)	(mA)	480	
Max. Trigger Pulse Duration	(msec)	10	
Duty Cycle		0-10%	
Additional Information			
Additional Cooling Method		Attached to machine part for better heat dissipation	
Intensity Controller Selection		SD and SDA Series	
CE Conformity		YES	
RoHS Compliance		YES	
Connection			
Connector Type (default)		M12 5 PIN CONNECTOR (MALE)	
Cable Length (out from lighting)	( mm )	700	
Pin Configuration		Pin	Signal
		1	24V
		2	-
		3	GND
		4	-
		5	-
			Cable Colour
			BROWN
			WHITE
			BLUE
			BLACK
			GRAY
Extension Cable			
Connector Type (default)		M12 5 PIN CONNECTOR (FEMALE)	
Part Number		EXT-FL-M12F-3M-24V	
Cable Length (out from female connector)	(mm)	3000	
Extension Cable (connect to M12 5 Pin Male Connector from lighting)			
Application			
Illumination Type	Coaxial Illumination		
Application Use	Surface inspection and alignment, wafer, metal surface, film, LCD and glass, pattern on PCB		