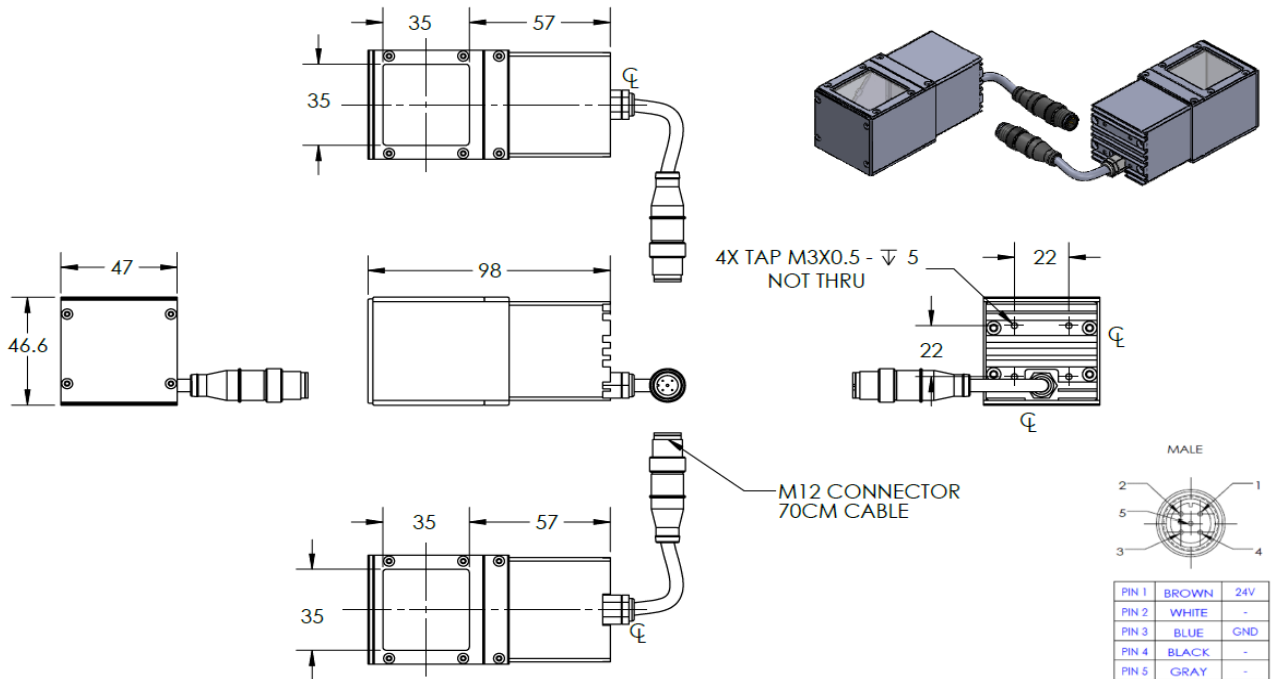


MCAX-00-035-X-G-24V

Lighting Dimension



Mechanical Information	
Casing Material	Aluminium
Storage & Operating Temperature Range	Temp 0 - 45°C, Humidity 20-85%
Weight	269 g
Length / Outer Diameter	98 mm
Width / Inner Diameter	47 mm
Thickness / Height	46.6 mm



MCAX-00-035-X-G-24V

Optical Information				
Part Number	MCAX-00-035-X-G-24V			
LED Colour	GREEN			
Wavelength	(nm)	525		
Intensity (±15%)	(Lux)	5467	3124	2286.2
Working Distance	(mm)	20	35	50
Illumination (number of rows)	X			
Illumination Active Area				
Active Length / Outer Diameter	(mm)	35		
Active Width / Inner Diameter	(mm)	35		
Emission Angle	(deg.)	0		
Eye Safety Class (IEC62471)	EXEMPT			
*CHROMATICITY TABLE				
Electrical Information				
Lighting Supply Voltage (constant voltage mode)		24V ± 2%		
Continuous Current	(mA)	160		
Power Consumption	(W)	3.84		
Lighting Casing Temperature, Operating after 60 minutes	°C	48.9		
Strobe Mode Specification				
Pulse Operation		YES		
Max. Lighting Supply Voltage (constant voltage power supply)	(V)	Pulsing at 24VDC to 48VDC, 0-10% Duty Cycle, Recommended at 36VDC		
Pulse Current, (Max. 10 msec) (constant current power supply)	(mA)	480		
Max. Trigger Pulse Duration	(msec)	10		
Duty Cycle		0-10%		
Additional Information				
Additional Cooling Method		Attached to machine part for better heat dissipation		
Intensity Controller Selection		SD and SDA Series		
CE Conformity		YES		
RoHS Compliance		YES		
Connection				
Connector Type (default)		M12 5 PIN CONNECTOR (MALE)		
Cable Length (out from lighting)	(mm)	700		
Pin Configuration		Pin	Signal	Cable Colour
		1	24V	BROWN
		2	-	WHITE
		3	GND	BLUE
		4	-	BLACK
		5	-	GRAY
Extension Cable				
Connector Type (default)		M12 5 PIN CONNECTOR (FEMALE)		
Part Number		EXT-FL-M12F-3M-24V		
Cable Length (out from female connector)	(mm)	3000		
Extension Cable (connect to M12 5 Pin Male Connector from lighting)				
Application				
Illumination Type		Coaxial Illumination		
Application Use		Surface inspection and alignment, wafer, metal surface, film, LCD and glass, pattern on PCB		