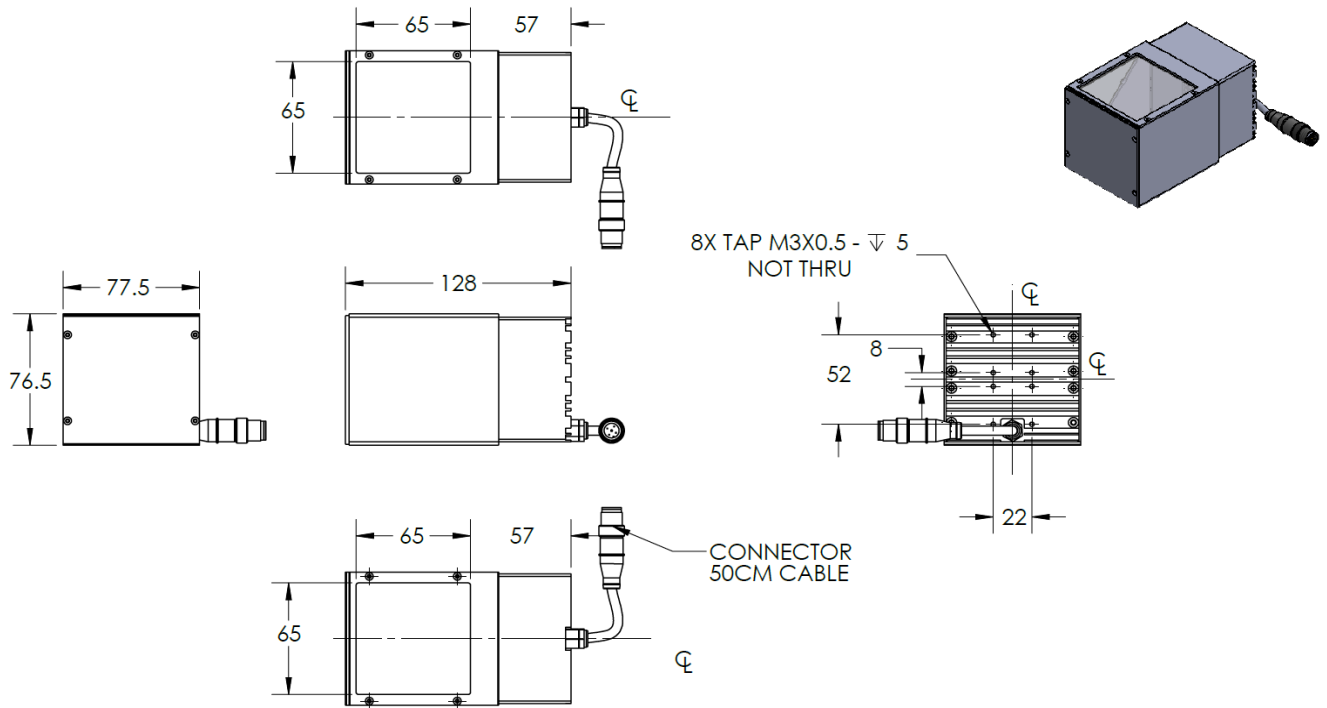


MCAx-00-070-X-G-24V

Lighting Dimension



Mechanical Information	
Casing Material	Aluminium
Storage & Operating Temperature Range	Temp 0 - 45°C, Humidity 20-85%
Weight	580 g
Length / Outer Diameter	128 mm
Width / Inner Diameter	77.5 mm
Thickness / Height	76.5 mm



MCAX-00-070-X-G-24V

Optical Information			
Part Number		MCAX-00-070-X-G-24V	
LED Colour		GREEN	
Wavelength	(nm)	525	
Intensity (±15%)	(Lux)	11116	7658 6734
Working Distance	(mm)	20	35 50
Illumination (number of rows)		X	
Illumination Active Area			
Active Length / Outer Diameter	(mm)	65	
Active Width / Inner Diameter	(mm)	65	
Emission Angle	(deg.)	0	
Eye Safety Class (IEC62471)		EXEMPT	
Electrical Information			
Lighting Supply Voltage (constant voltage mode)		24V ± 2%	
Continuous Current	(mA)	550	
Power Consumption	(W)	13.2	
Lighting Casing Temperature, Operating after 60 minutes	°C	49	
Strobe Mode Specification			
Pulse Operation		YES	
Max. Lighting Supply Voltage (constant voltage power supply)	(V)	Pulsing at 24VDC to 48VDC, 0-10% Duty Cycle, Recommended at 36VDC	
Pulse Current, (Max. 10 msec) (constant current power supply)	(mA)	1650	
Max. Trigger Pulse Duration	(msec)	10	
Duty Cycle		0-10%	
Additional Information			
Additional Cooling Method		Attached to machine part for better heat dissipation	
Intensity Controller Selection		SD and SDA Series	
CE Conformity		YES	
RoHS Compliance		YES	
Connection			
Connector Type (default)		M12 5 PIN CONNECTOR (MALE)	
Cable Length (out from lighting)	(mm)	700	
Pin Configuration		Pin	Signal Cable Colour
		1	24V BROWN
		2	- WHITE
		3	GND BLUE
		4	- BLACK
		5	- GRAY
Extension Cable			
Connector Type (default)		M12 5 PIN CONNECTOR (FEMALE)	
Part Number		EXT-FL-M12F-3M-24V	
Cable Length (out from female connector)	(mm)	3000	
Extension Cable (connect to M12 5 Pin Male Connector from lighting)			
Application			
Illumination Type		Coaxial Illumination	
Application Use		Surface inspection and alignment, wafer, metal surface, film, LCD and glass, pattern on PCB.	