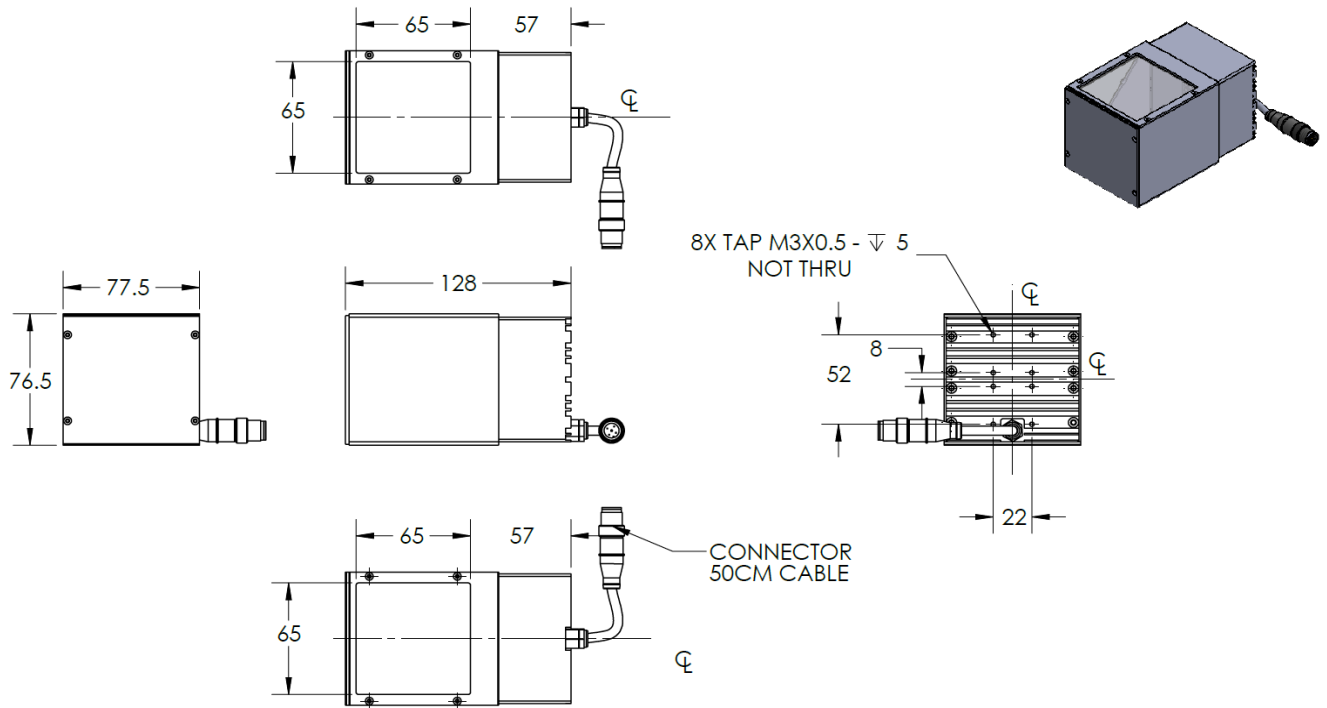


MCAx-00-070-X-W-24V

Lighting Dimension



Mechanical Information	
Casing Material	Aluminium
Storage & Operating Temperature Range	Temp 0 - 45°C, Humidity 20-85%
Weight	580 g
Length / Outer Diameter	128 mm
Width / Inner Diameter	77.5 mm
Thickness / Height	76.5 mm



MCAX-00-070-X-W-24V

Optical Information																					
Part Number	MCAX-00-070-X-W-24V																				
LED Colour	WHITE																				
Wavelength	(nm) * Refer to the Chromaticity Table Below																				
Intensity (±15%)	(Lux) 11116 7658 6734																				
Working Distance	(mm) 20 35 50																				
Illumination (number of rows)	X																				
Illumination Active Area																					
Active Length / Outer Diameter	(mm) 65																				
Active Width / Inner Diameter	(mm) 65																				
Emission Angle	(deg.) 0																				
Eye Safety Class (IEC62471)	EXEMPT																				
*CHROMATICITY TABLE																					
<table border="1"> <tr> <td>X</td> <td>0.296</td> <td>0.287</td> <td>0.307</td> <td>0.311</td> <td>X</td> <td>0.311</td> <td>0.307</td> <td>0.33</td> <td>0.33</td> </tr> <tr> <td>Y</td> <td>0.276</td> <td>0.295</td> <td>0.315</td> <td>0.294</td> <td>Y</td> <td>0.294</td> <td>0.315</td> <td>0.339</td> <td>0.318</td> </tr> </table>		X	0.296	0.287	0.307	0.311	X	0.311	0.307	0.33	0.33	Y	0.276	0.295	0.315	0.294	Y	0.294	0.315	0.339	0.318
X	0.296	0.287	0.307	0.311	X	0.311	0.307	0.33	0.33												
Y	0.276	0.295	0.315	0.294	Y	0.294	0.315	0.339	0.318												
Electrical Information																					
Lighting Supply Voltage (constant voltage mode)	24V ± 2%																				
Continuous Current	(mA) 550																				
Power Consumption	(W) 13.2																				
Lighting Casing Temperature, Operating after 60 minutes	°C 49																				
Strobe Mode Specification																					
Pulse Operation	YES																				
Max. Lighting Supply Voltage (constant voltage power supply)	(V) Pulsing at 24VDC to 48VDC, 0-10% Duty Cycle, Recommended at 36VDC																				
Pulse Current, (Max. 10 msec) (constant current power supply)	(mA) 1650																				
Max. Trigger Pulse Duration	(msec) 10																				
Duty Cycle	0-10%																				
Additional Information																					
Additional Cooling Method	Attached to machine part for better heat dissipation																				
Intensity Controller Selection	SD and SDA Series																				
CE Conformity	YES																				
RoHS Compliance	YES																				
Connection																					
Connector Type (default)	M12 5 PIN CONNECTOR (MALE)																				
Cable Length (out from lighting)	(mm) 700																				
Pin Configuration	<table border="1"> <thead> <tr> <th>Pin</th> <th>Signal</th> <th>Cable Colour</th> </tr> </thead> <tbody> <tr> <td>1</td> <td>24V</td> <td>BROWN</td> </tr> <tr> <td>2</td> <td>-</td> <td>WHITE</td> </tr> <tr> <td>3</td> <td>GND</td> <td>BLUE</td> </tr> <tr> <td>4</td> <td>-</td> <td>BLACK</td> </tr> <tr> <td>5</td> <td>-</td> <td>GRAY</td> </tr> </tbody> </table>	Pin	Signal	Cable Colour	1	24V	BROWN	2	-	WHITE	3	GND	BLUE	4	-	BLACK	5	-	GRAY		
Pin	Signal	Cable Colour																			
1	24V	BROWN																			
2	-	WHITE																			
3	GND	BLUE																			
4	-	BLACK																			
5	-	GRAY																			
Extension Cable																					
Connector Type (default)	M12 5 PIN CONNECTOR (FEMALE)																				
Part Number	EXT-FL-M12F-3M-24V																				
Cable Length (out from female connector)	(mm) 3000																				
Extension Cable (connect to M12 5 Pin Male Connector from lighting)																					
Application																					
Illumination Type	Coaxial Illumination																				
Application Use	Surface inspection and alignment, wafer, metal surface, film, LCD and glass, pattern on PCB.																				