

D

C

B

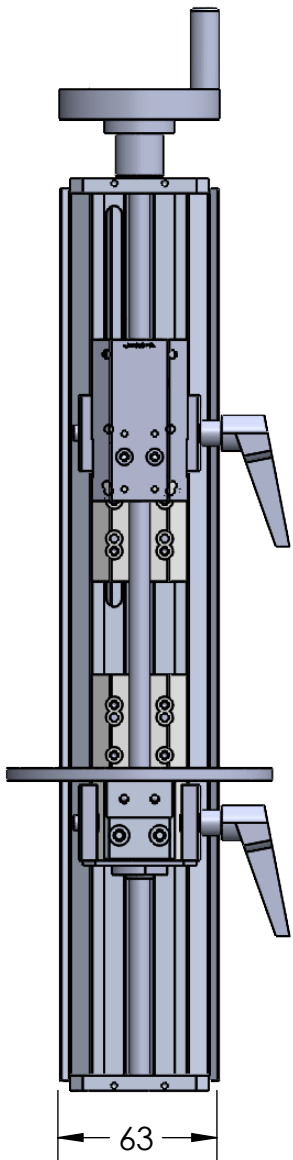
A

D

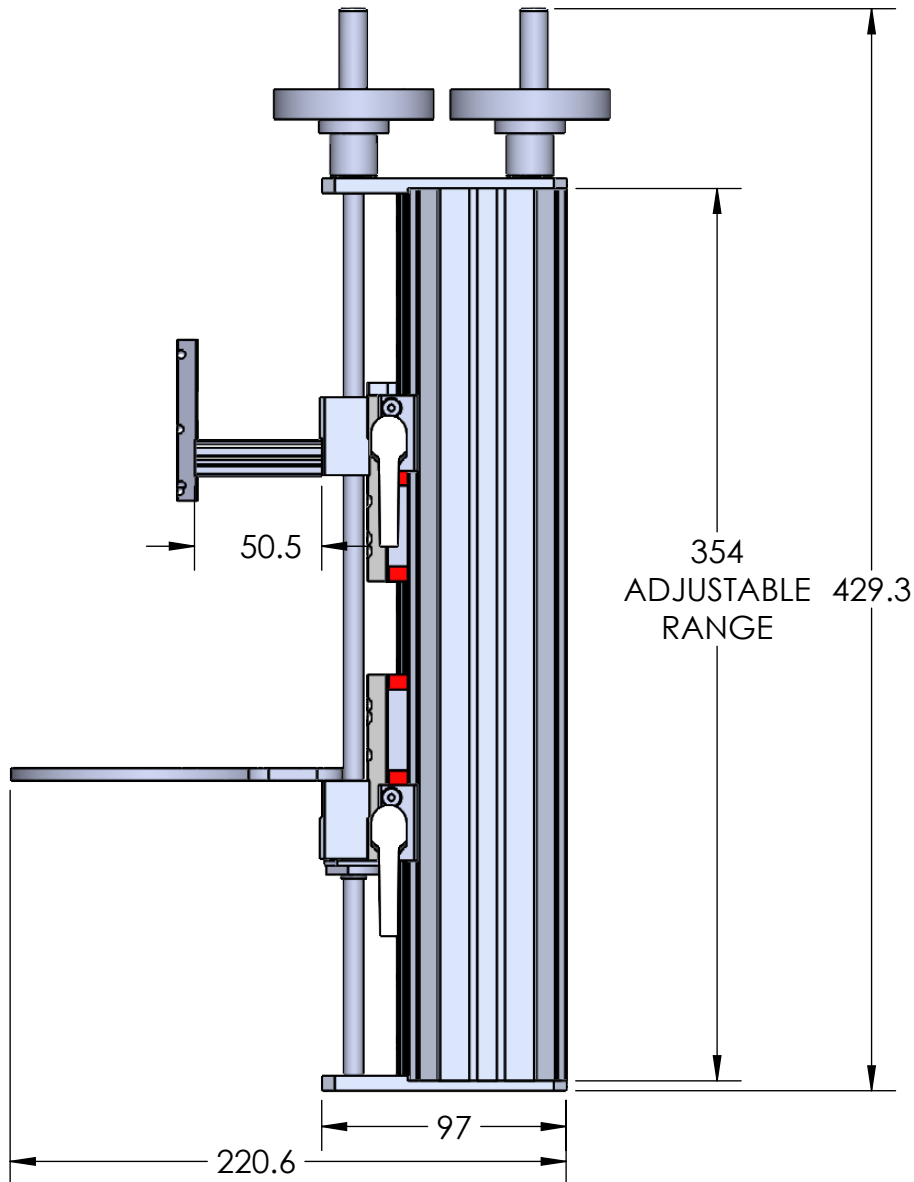
C

B

A



63

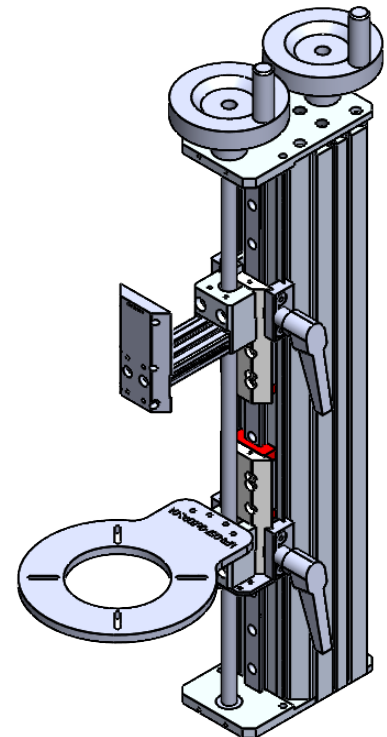


50.5

220.6

97

354
ADJUSTABLE RANGE



DESIGN BY	KANG	UNIT: MM	PRODUCT SERIES: MVM SERIES	
CHECK BY	KANG			
DATE	16/12/2022	REVISION: 01	TITLE	DRAWING LAYOUT
MATERIAL	-	SCALE: 1:1	PART NO	MVM-ADVANCE-350-01
FINISHING	-		DWG NO	-
QTY	-			SHEET 1 OF 1

