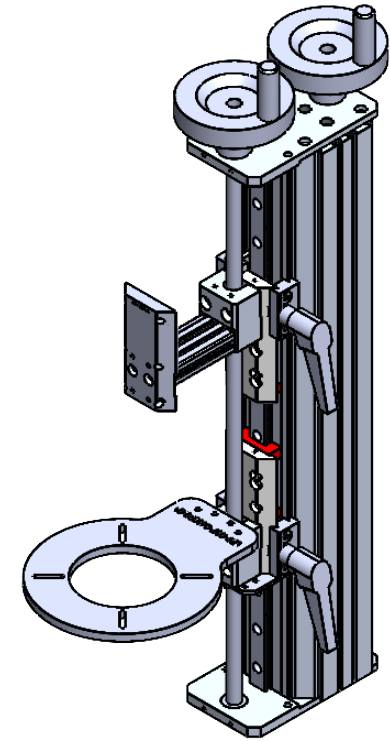
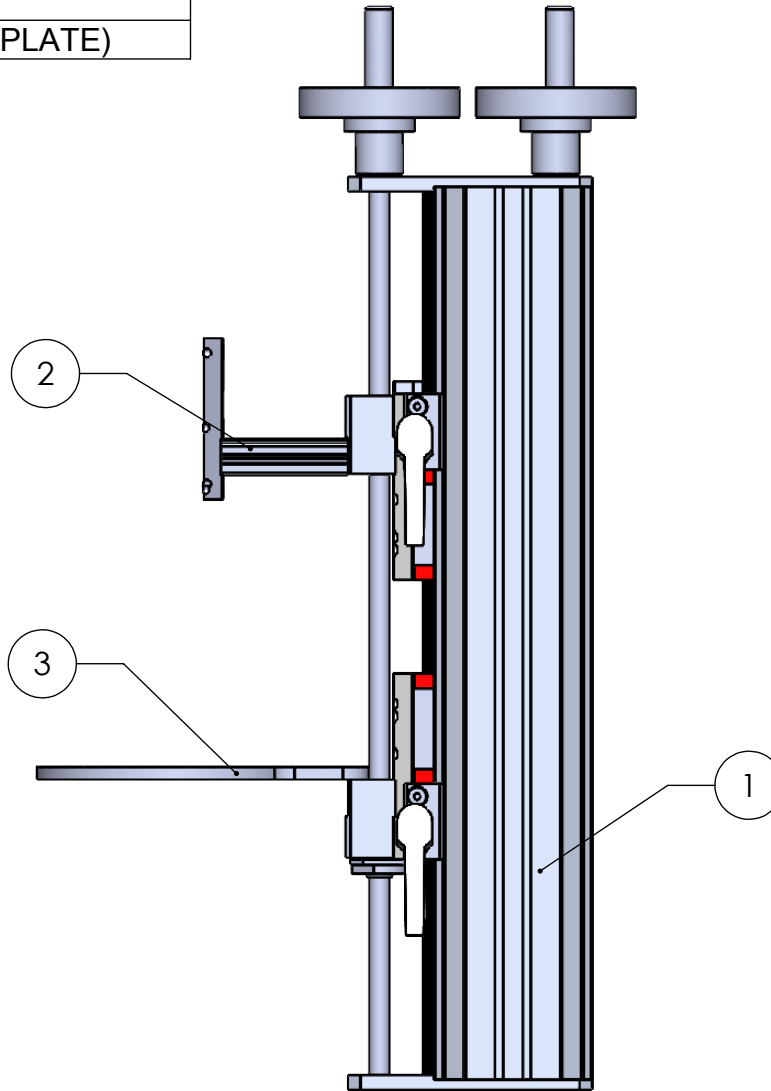


1	2	3	4	5	6	7	8
ITEM NO.	PART NUMBER						
1	VT-4SIDE-ADJUSTMENT-CLM2-350MM						
2	(CAMERA PLATE)						
3	LPR-057-065092-01(LIGHTING PLATE)						



DESIGN BY	KANG	UNIT:	MM	
CHECK BY	KANG	REVISION:	01	
DATE	16/12/2022	SCALE:	1 : 1	
MATERIAL	-	TITLE	EXPLODED LAYOUT	
FINISHING	-	PART NO	MVM-ADVANCE-350-01	
QTY	-	DWG NO	-	SHEET 1 OF 1

PRODUCT SERIES: MVM SERIES

D  
C  
B  
A

D  
C  
B  
A

1 2 3 4 5 6 7 8