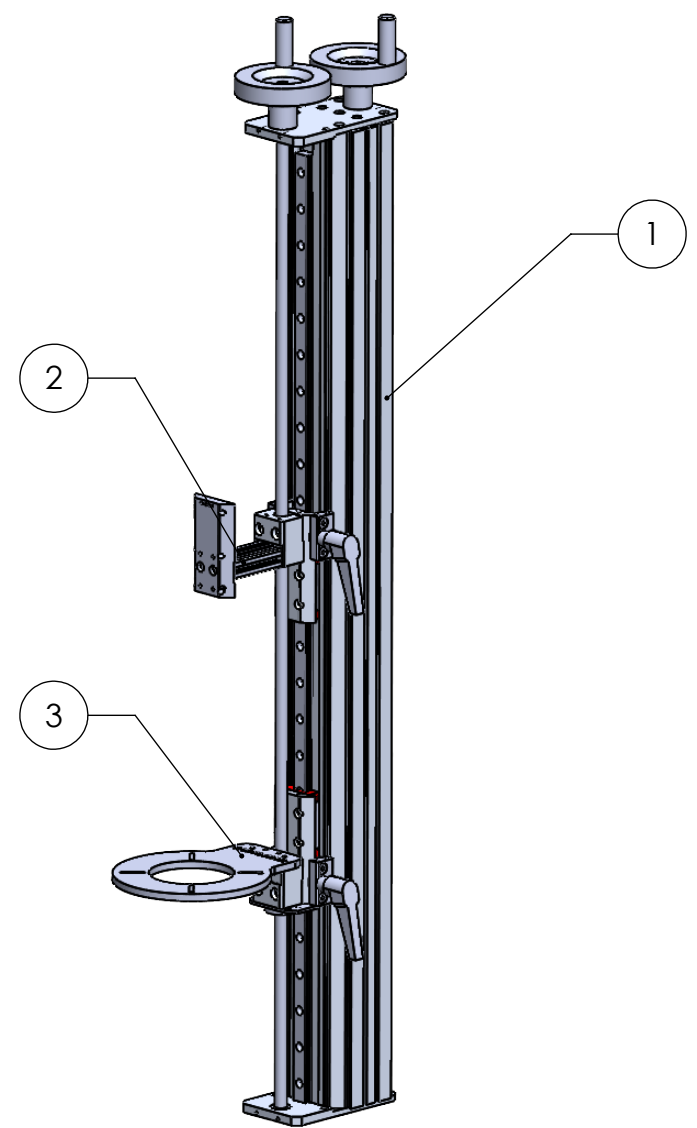


1	2	3	4	5	6	7	8
ITEM NO.	PART NUMBER						
1	PTS-ADJ-COMPACT-670-01						
2	(CAMERA PLATE)						
3	LPR-057-065092-01(LIGHTING PLATE)						



DESIGN BY	KANG	UNIT:	MM	
CHECK BY	KANG	REVISION:	01	
DATE	16/12/2022	SCALE:	1 : 1	
MATERIAL	-	TITLE	EXPLODED LAYOUT	
FINISHING	-	PART NO	MVM-ADVANCE-670-01	
QTY	-	DWG NO	-	
			SHEET 1 OF 1	