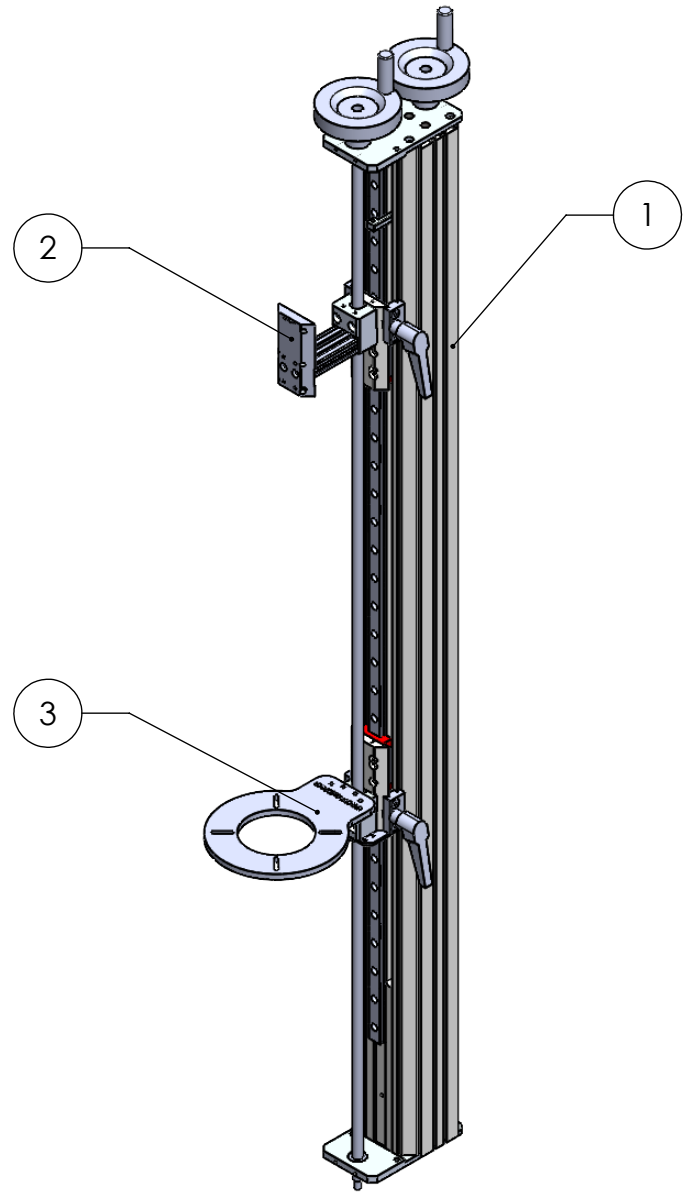


ITEM NO.	PART NUMBER
1	PTS-ADJ-COMPACT-900-01
2	(CAMERA PLATE)
3	LPR-057-065092-01 (LIGHTING PLATE)



DESIGN BY	KANG	UNIT: MM	PRODUCT SERIES: MVM SERIES	
CHECK BY	KANG			
DATE	9/3/2023	REVISION: 01	TITLE	EXPLODED LAYOUT
MATERIAL	-	SCALE: 1:1	PART NO	MVM-ADVANCE-900-01
FINISHING	-		DWG NO	-
QTY	-			SHEET 1 OF 1

