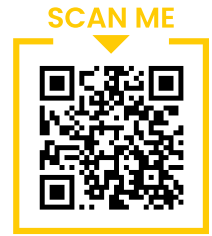


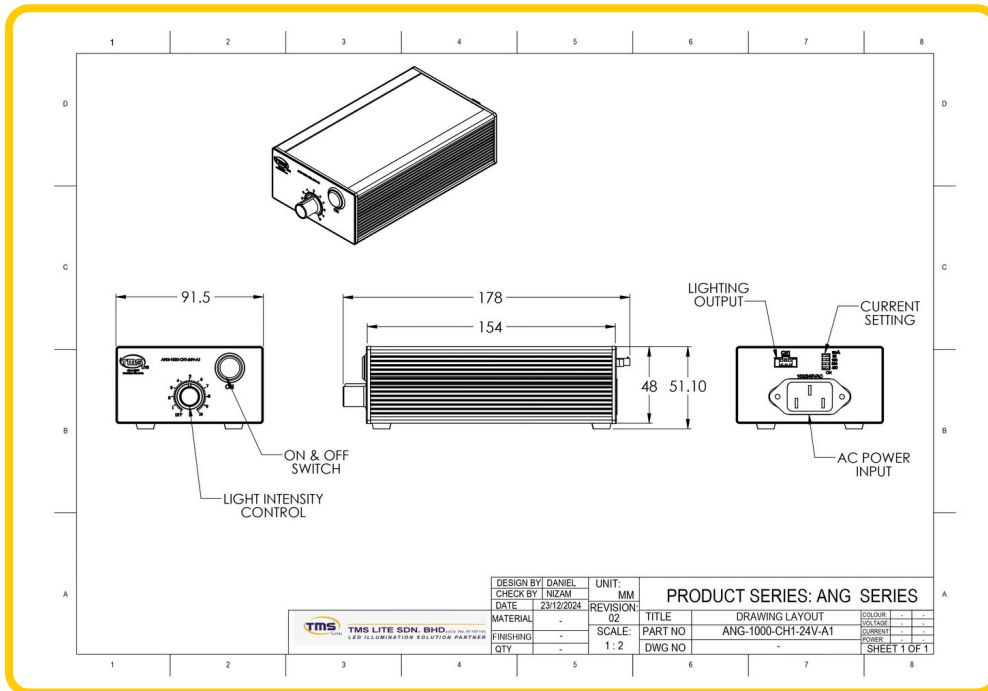
CONTROLLER DATASHEET



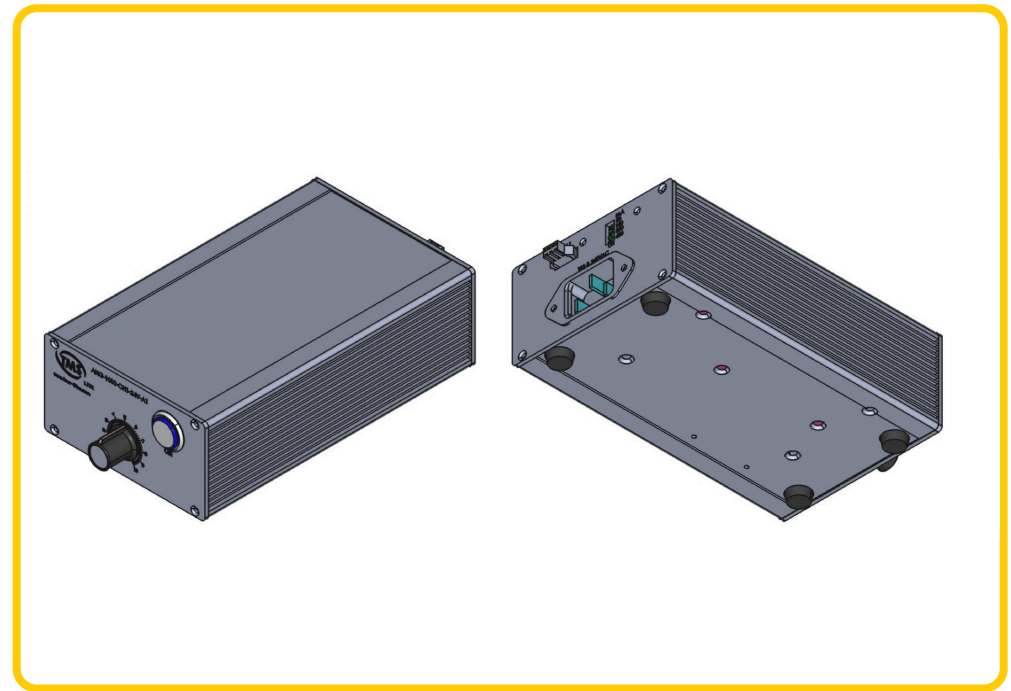
PART NUMBER: ANG-1000-CH1-24V-A1

MECHANICAL PART

2D DRAWING

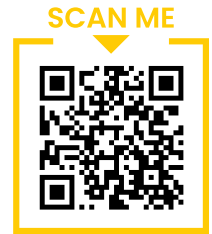


3D DRAWING



CONTROLLER DATASHEET

PART NUMBER: ANG-1000-CH1-24V-A1



ELECTRICAL PART

SCHEMATIC DIAGRAM

N/A

TIMING DIAGRAM

N/A

CONTROLLER DATASHEET



WIRING DIAGRAM

