

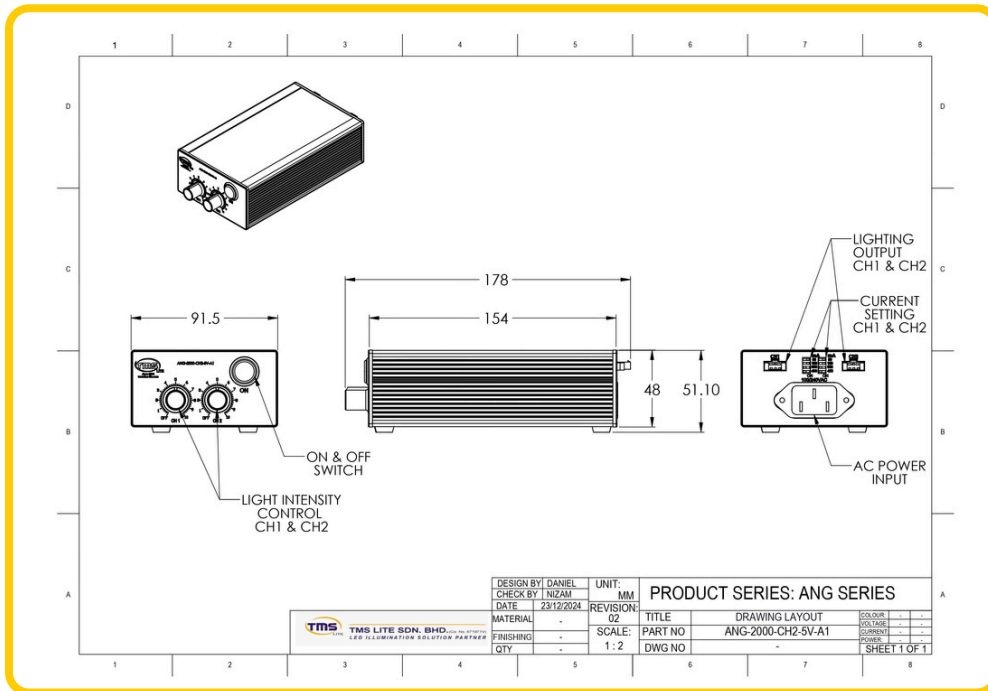
# CONTROLLER DATASHEET



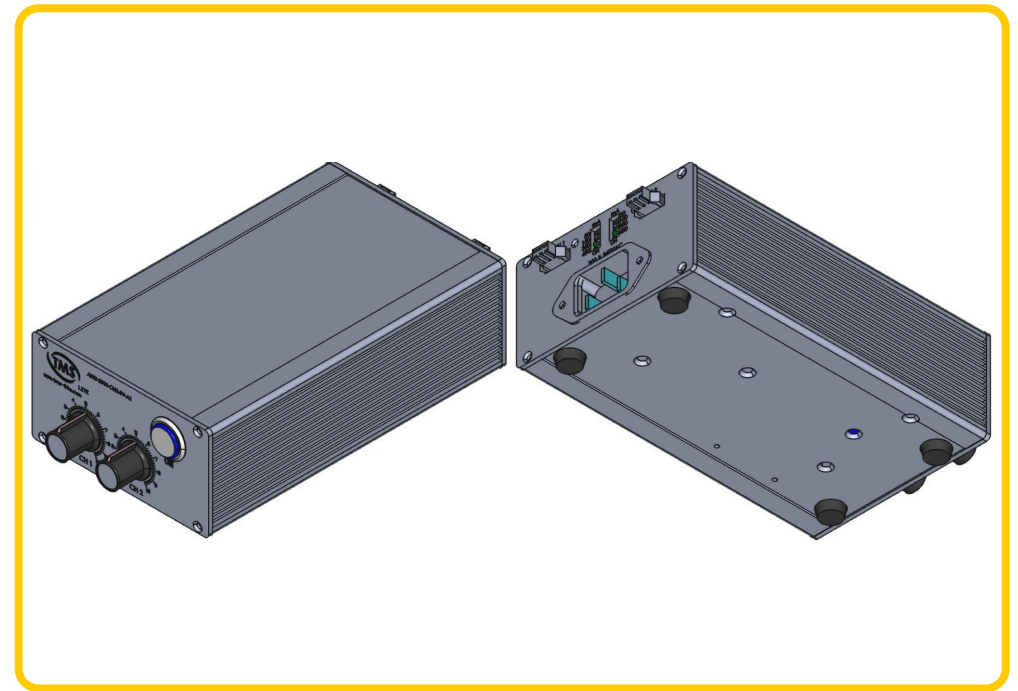
**PART NUMBER: ANG-2000-CH2-5V-A1**

## MECHANICAL PART

### 2D DRAWING

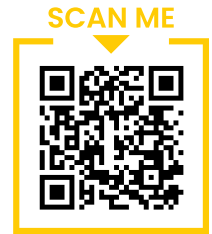


### 3D DRAWING



# CONTROLLER DATASHEET

**PART NUMBER:** ANG-2000-CH2-5V-A1



## ELECTRICAL PART

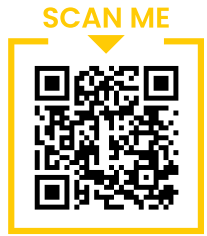
### SCHEMATIC DIAGRAM

**N/A**

### TIMING DIAGRAM

**N/A**

# CONTROLLER DATASHEET



## WIRING DIAGRAM

