



## Specifications:

<b>Type</b>	Analog Controller
<b>Series</b>	ANG Series
<b>Dimension</b>	178 x 91.5 x 51.1 mm
<b>Communication Type</b>	N/A
<b>Controller Supply Voltage</b>	100V ~ 240VAC
<b>Output Current</b>	1A / Channel
<b>Lighting (Input Voltage)</b>	Based on controller supply voltage
<b>Lighting (Output Voltage)</b>	5VDC
<b>Digital Input</b>	0
<b>Digital Output</b>	0
<b>No. of channel</b>	2 Channels
<b>Mode</b>	Constant
<b>Strobe Width</b>	N/A
<b>Trigger Delay</b>	N/A

## Part Number:

DK-ANG-2000-CH2-5V-A1-XX

## Product Naming Convention:

DK-ANG-2000-CH2-5V-A1-XX

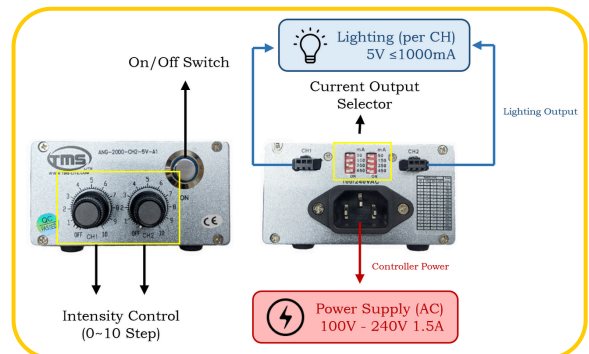
① - ② - ③ - ④ - ⑤ ⑥ ⑦

1. Demo Kit
2. Light Controller
3. Lighting Output Current:  
1.0A / Channel
4. 2 Channels
5. Output Voltage: 5V
6. Version
7. Power Cord Type: EU/US/UK

## Box Dimension:

L 350 x W 145 x H 220

## Application



## Features

- Can be directly connected to an AC power input
- Provides analog intensity control for LED lighting

## Advantages

- Availability of rotary knob functionality for intensity control
- Easy control of lighting intensity
- Adjustable output current

## Benefits

- Easy to install and use
- Reduces the amount of wiring