

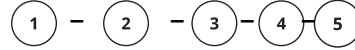


Part Number:

ANG-2000-CH2-5V-A1

Product Naming Convention:

ANG-2000-CH2-5V-A1

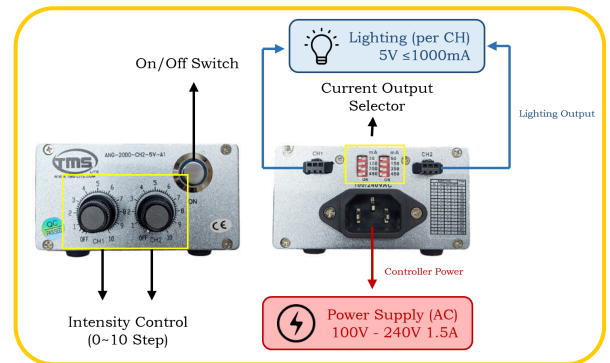


1. Light Controller
2. Lighting Output Current:
1.0A / Channel
3. 2 Channel
4. Output Voltage: 5V
5. Version

Specifications:

Type	Analog Controller
Series	ANG Series
Dimension	178 x 91.5 x 51.1 mm
Communication Type	N/A
Controller Supply Voltage	100V ~ 240VAC
Output Current	1A / Channel
Lighting (Input Voltage)	Based on controller supply voltage
Lighting (Output Voltage)	5VDC
Digital Input	0
Digital Output	0
No. of channel	2 Channels
Mode	Constant
Strobe Width	N/A
Trigger Delay	N/A

Application



Features

- Can be directly connected to an AC power input
- Provides analog intensity control for LED lighting

Advantages

- Availability of rotary knob functionality for intensity control
- Easy control of lighting intensity
- Adjustable output current

Benefits

- Easy to install and use
- Reduces the amount of wiring