

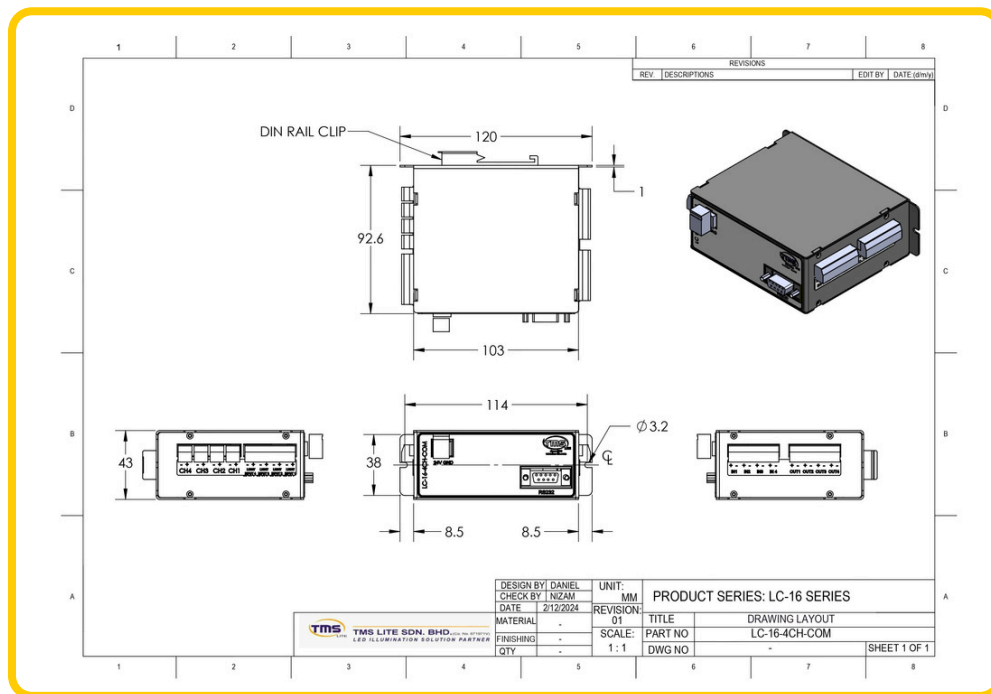
CONTROLLER DATASHEET

PART NUMBER: LC-16-4CH-COM

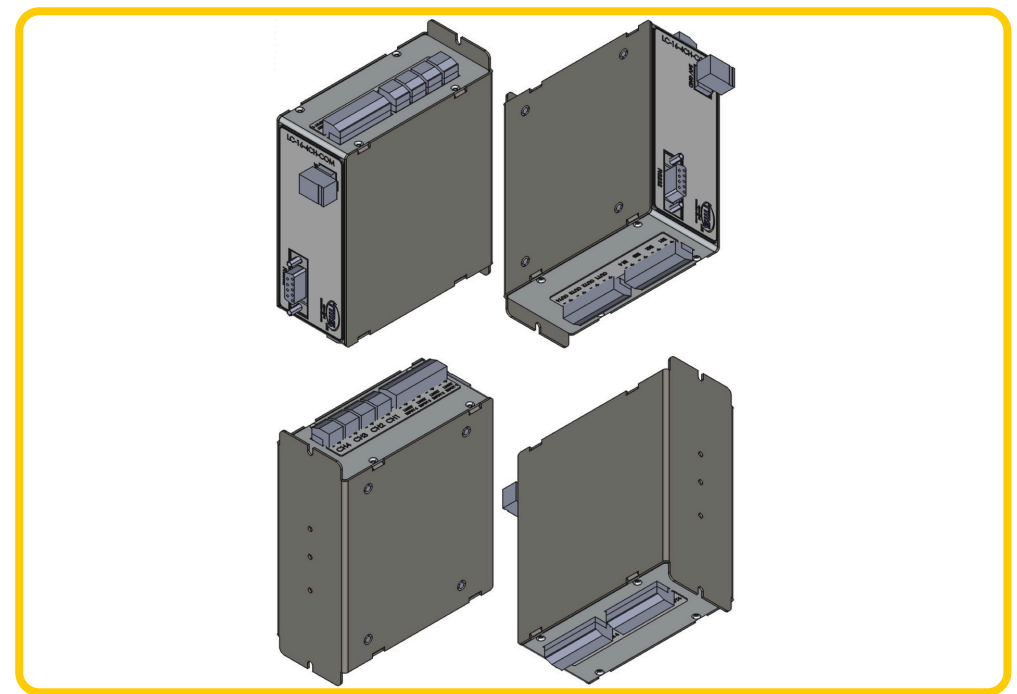


MECHANICAL PART

2D DRAWING



3D DRAWING



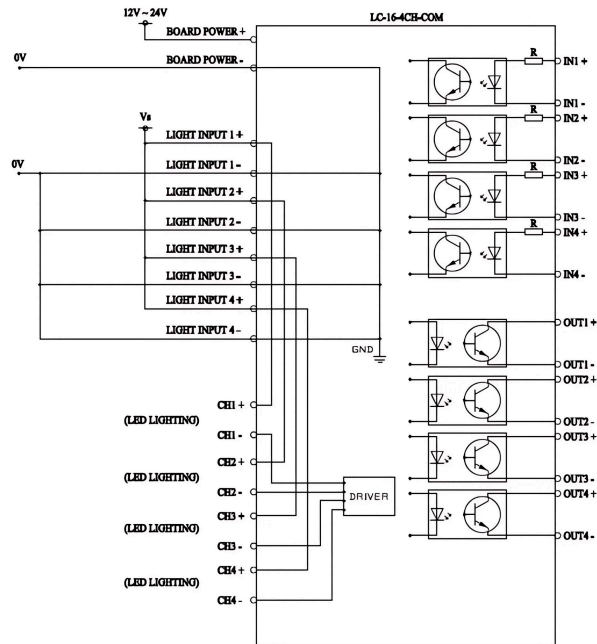
CONTROLLER DATASHEET

PART NUMBER: LC-16-4CH-COM

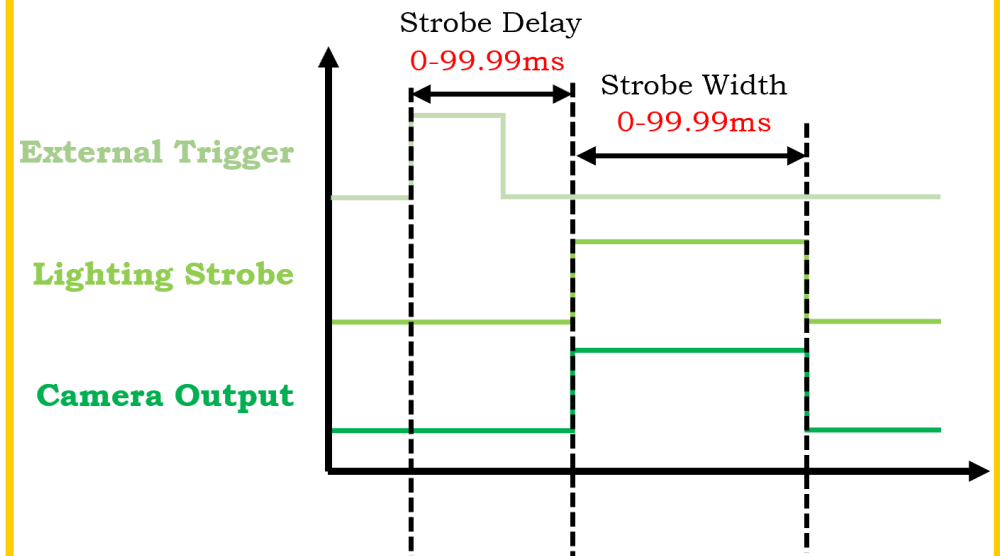


ELECTRICAL PART

SCHEMATIC DIAGRAM



TIMING DIAGRAM



CONTROLLER DATASHEET



WIRING DIAGRAM

