

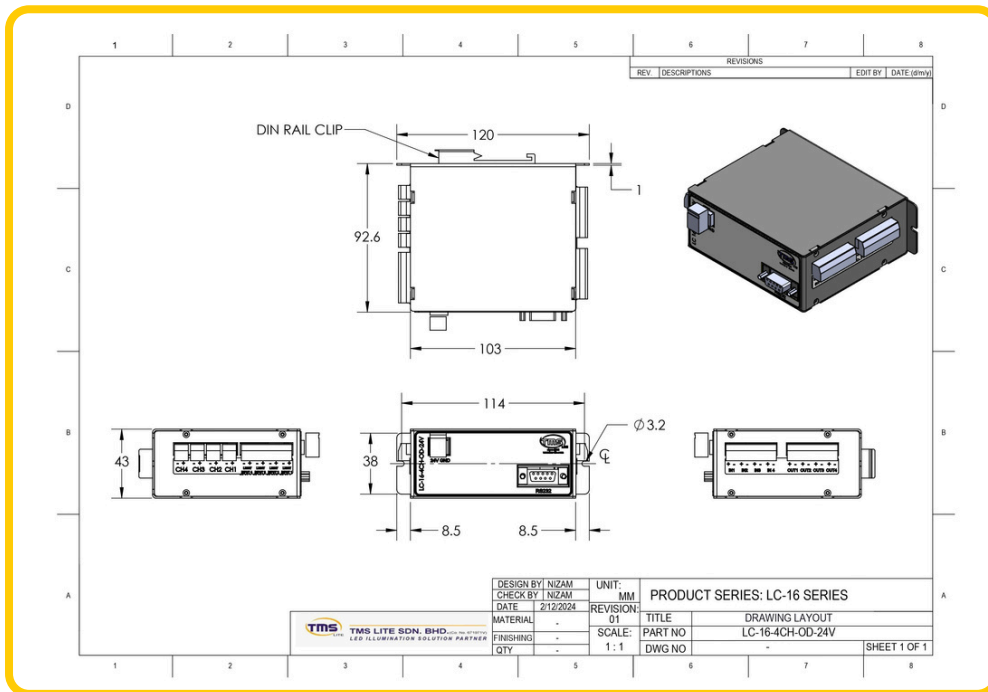
CONTROLLER DATASHEET

PART NUMBER: LC-16-4CH-OD-24V

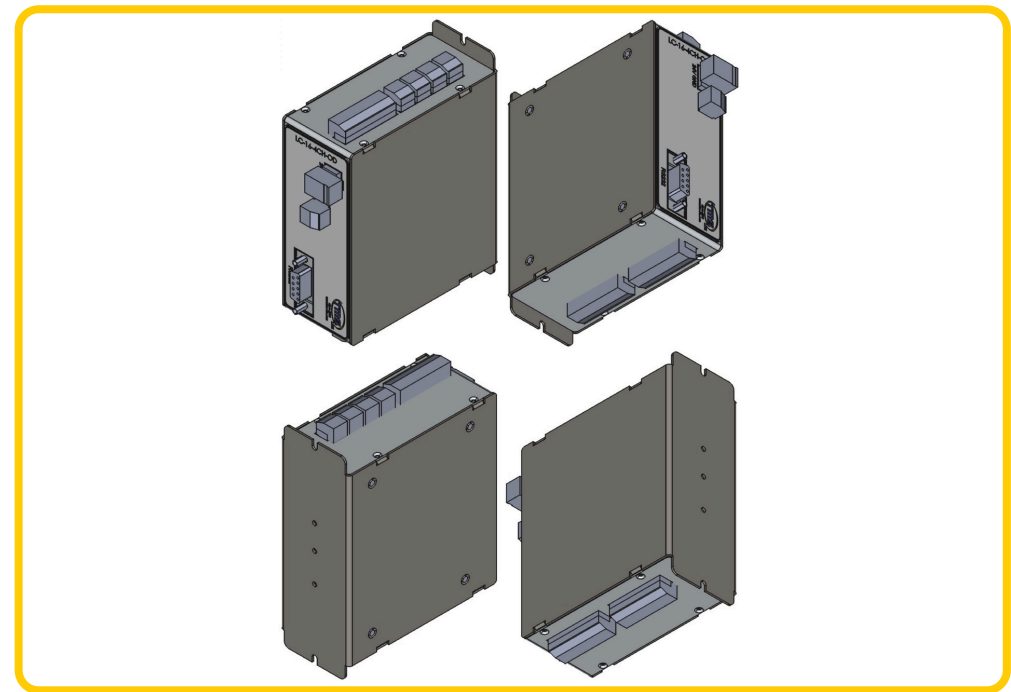


MECHANICAL PART

2D DRAWING



3D DRAWING



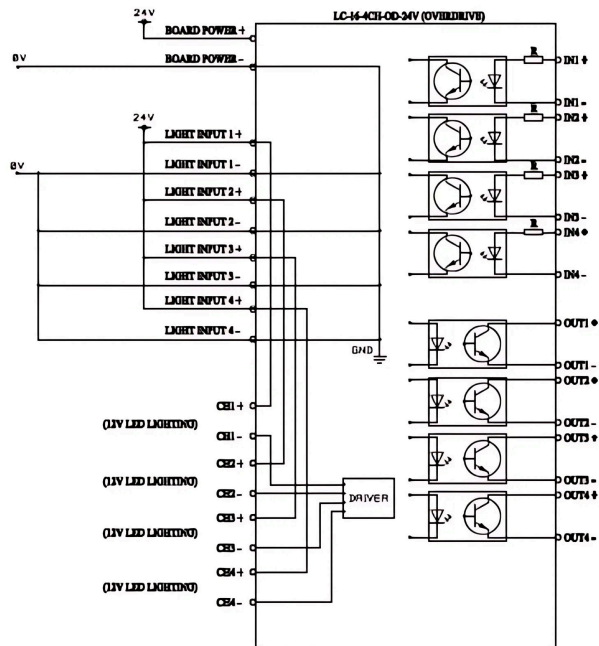
CONTROLLER DATASHEET

PART NUMBER: LC-16-4CH-OD-24V

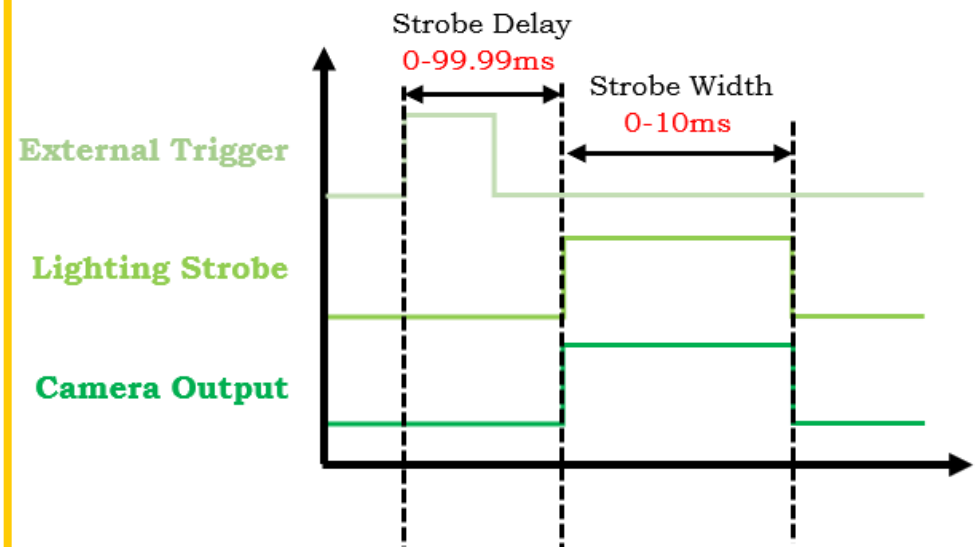


ELECTRICAL PART

SCHEMATIC DIAGRAM



TIMING DIAGRAM



CONTROLLER DATASHEET



WIRING DIAGRAM

