



Part Number:

LC-16-4CH-OD-24V

Product Naming Convention:

LC-16-4CH-OD-24V

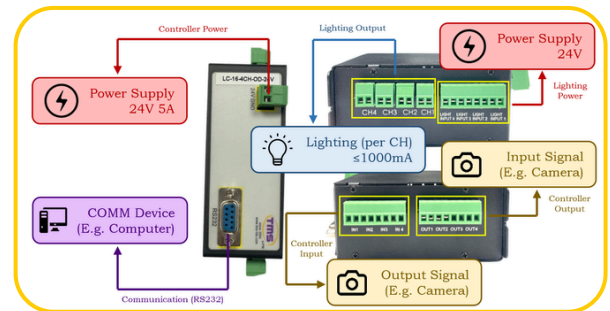


1. Light Controller
2. Series 16
3. 4 Channels
4. Overdrive
5. Power Adapter Voltage: 24V

Specifications:

Type	Digital Controller
Series	LC-16 Series
Dimension	120 x 92.6 x 43 mm
Communication Type	RS232
Controller Supply Voltage	24VDC
Output Current	1A / Channel
Lighting (Input Voltage)	24V
Lighting (Output Voltage)	Based on lighting input voltage
Digital Input	4
Digital Output	4
No. of channel	4 Channels
Mode	Strobe
Strobe Width	0.01ms - 10.00ms (0.01ms / step)
Trigger Delay	< 25µs

Application



Features

- Intensity control for LED lightings in machine vision applications
- 4 channels with individual settings
- 1 mode of operation for diverse application support

Advantages

- Programmability
- Able to control multiple lighting
- Software control
- Able to overdrive for 12V lighting

Benefits

- Compact size
- Fast respond in strobing
- Easy to install