

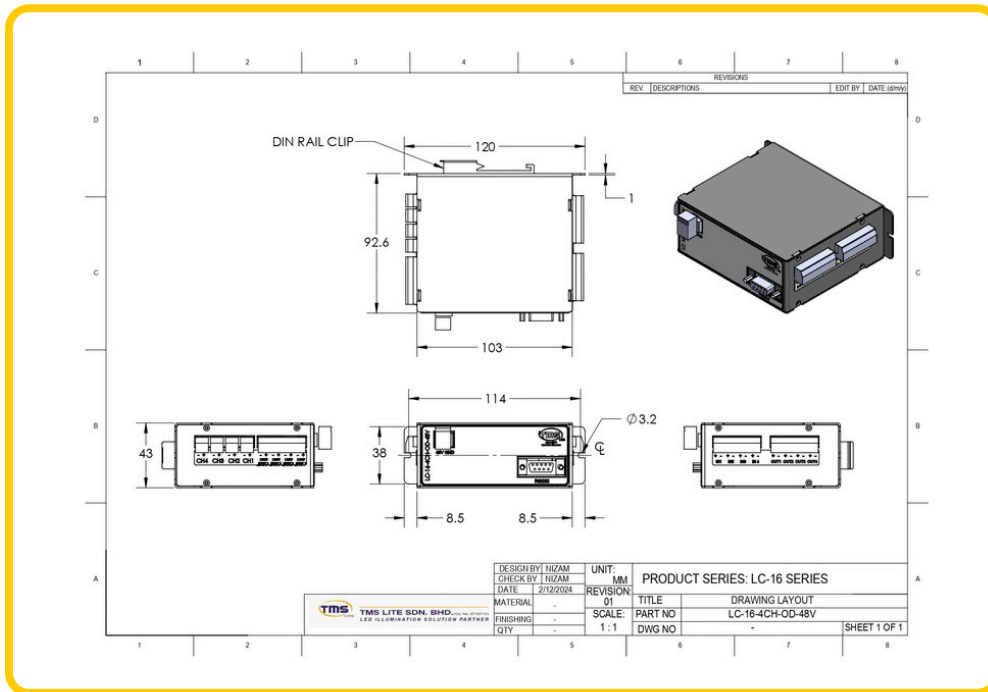
# CONTROLLER DATASHEET

**PART NUMBER: LC-16-4CH-OD-48V**

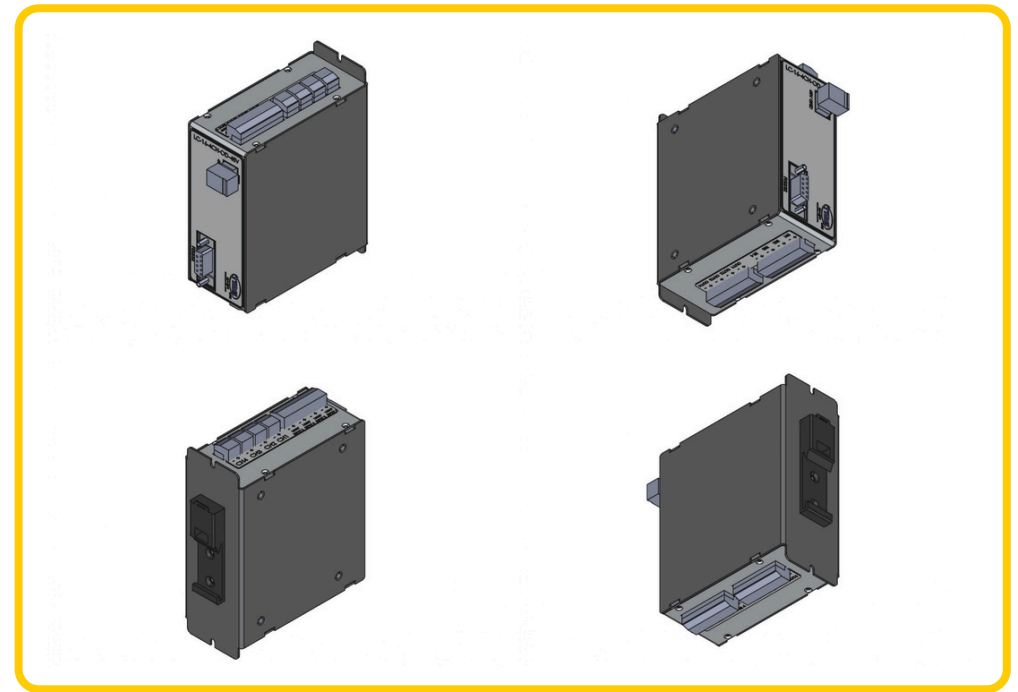


## MECHANICAL PART

### 2D DRAWING



### 3D DRAWING



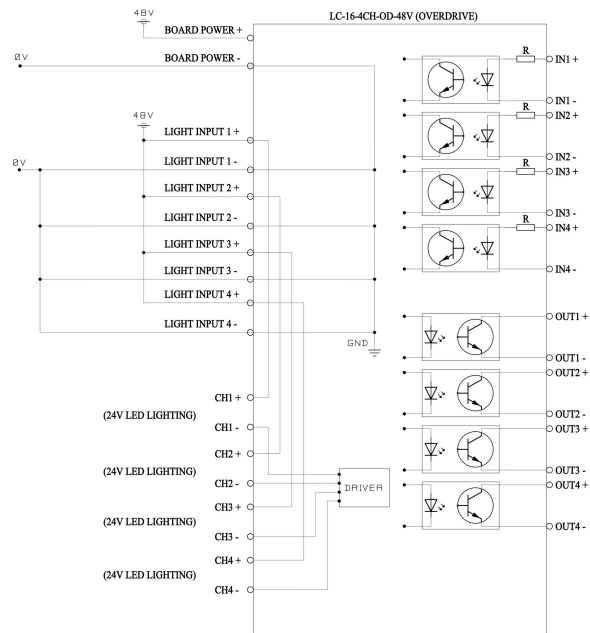
# CONTROLLER DATASHEET



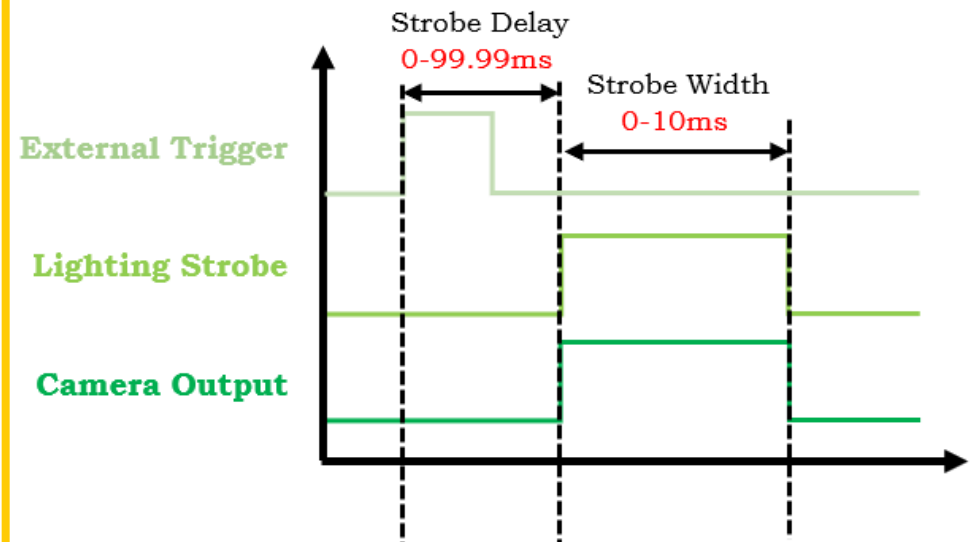
**PART NUMBER: LC-16-4CH-OD-48V**

## ELECTRICAL PART

### SCHEMATIC DIAGRAM



### TIMING DIAGRAM



# CONTROLLER DATASHEET



## WIRING DIAGRAM

