



Specifications:

Type	Digital Controller
Series	LC-16 Series
Dimension	120 x 92.6 x 43 mm
Communication Type	RS232
Controller Supply Voltage	48VDC
Output Current	1A / Channel
Lighting (Input Voltage)	48V
Lighting (Output Voltage)	Based on lighting input voltage
Digital Input	4
Digital Output	4
No. of channel	4 Channels
Mode	Strobe
Strobe Width	0.01ms - 10.00ms (0.01ms / step)
Trigger Delay	< 25μs

Part Number:

DK-LC-16-4CH-OD-48V-PS5.0A-XX

Product Naming Convention:

DK-LC-16-4CH-OD-48V-PS5.0A-XX

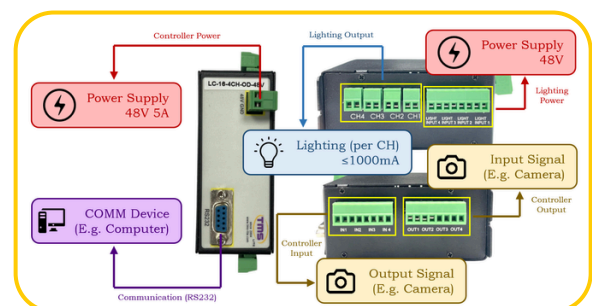
① - ② - ③ - ④ - ⑤ - ⑥ - ⑦ - ⑧

1. Demo Kit
2. Light Controller
3. Series 16
4. 4 Channels
5. Overdrive
6. Power Adapter Voltage: 48V
7. Power Adapter Current: 5.0A
8. Power Cord Type: EU/US/UK

Box Dimension:

L 333 x W 221 x H 100

Application



Features

- Intensity control for LED lightings in machine vision applications
- 4 channels with individual settings
- 1 mode of operation for diverse application support

Advantages

- Programmability
- Able to control multiple lighting
- Software control
- Able to overdrive

Benefits

- Compact size
- Fast respond in strobing
- Easy to install