

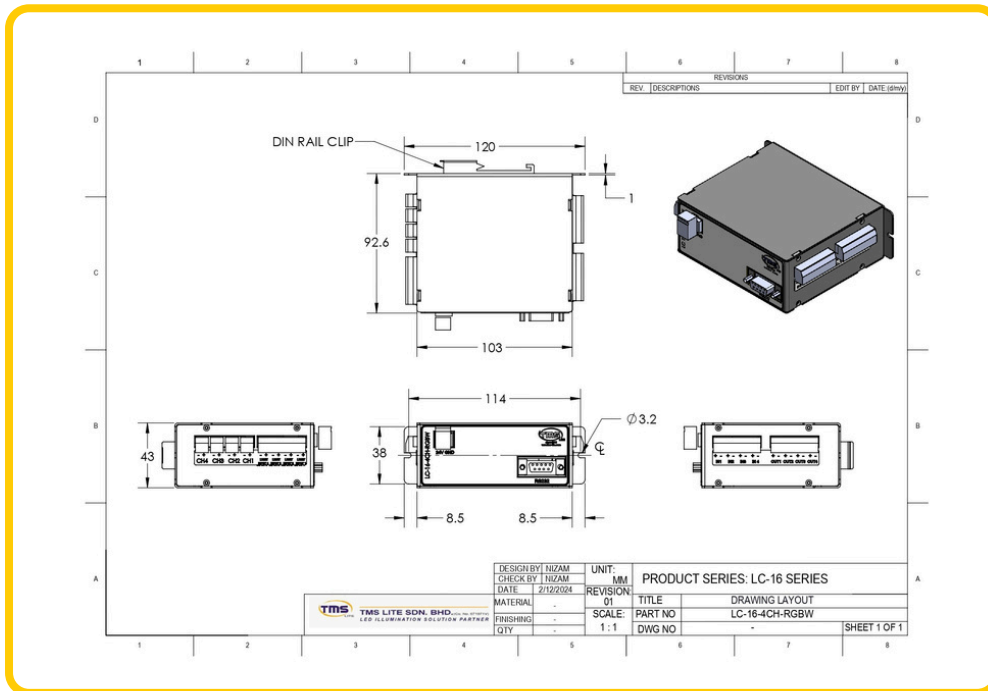
# CONTROLLER DATASHEET

**PART NUMBER: LC-16-4CH-RGBW**

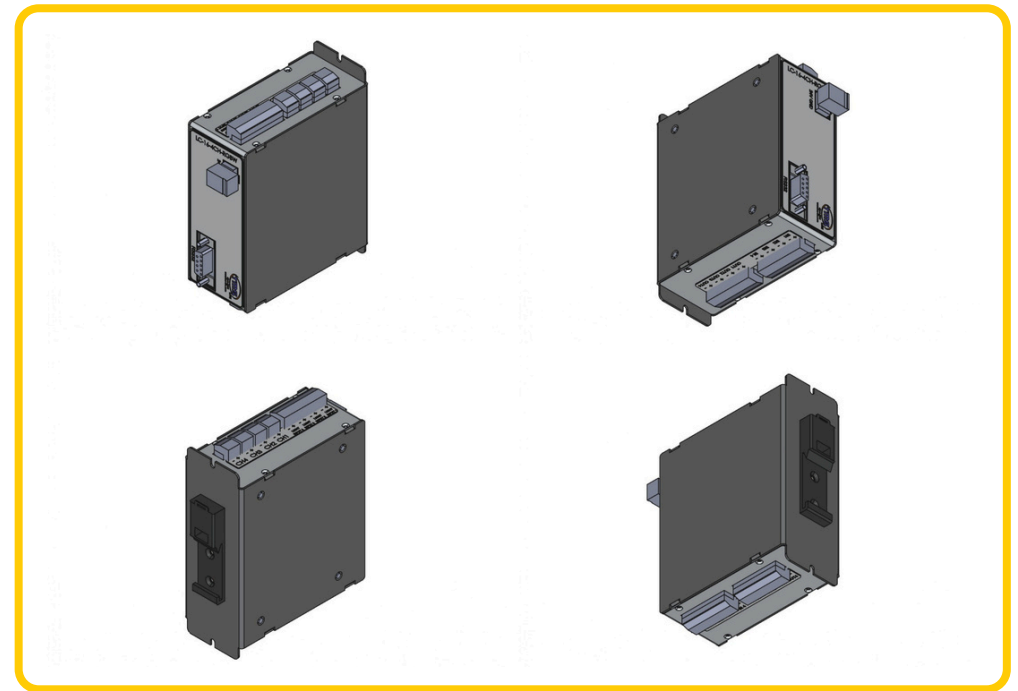


## MECHANICAL PART

### 2D DRAWING



### 3D DRAWING



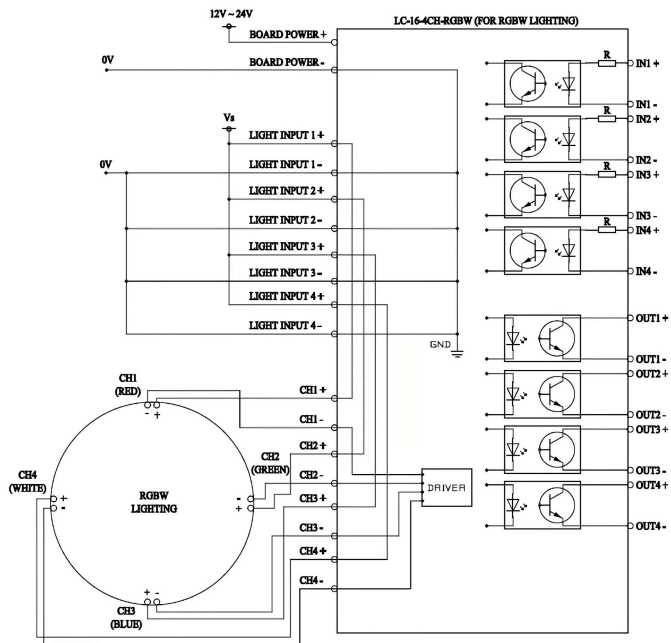
# CONTROLLER DATASHEET

PART NUMBER: LC-16-4CH-RGBW

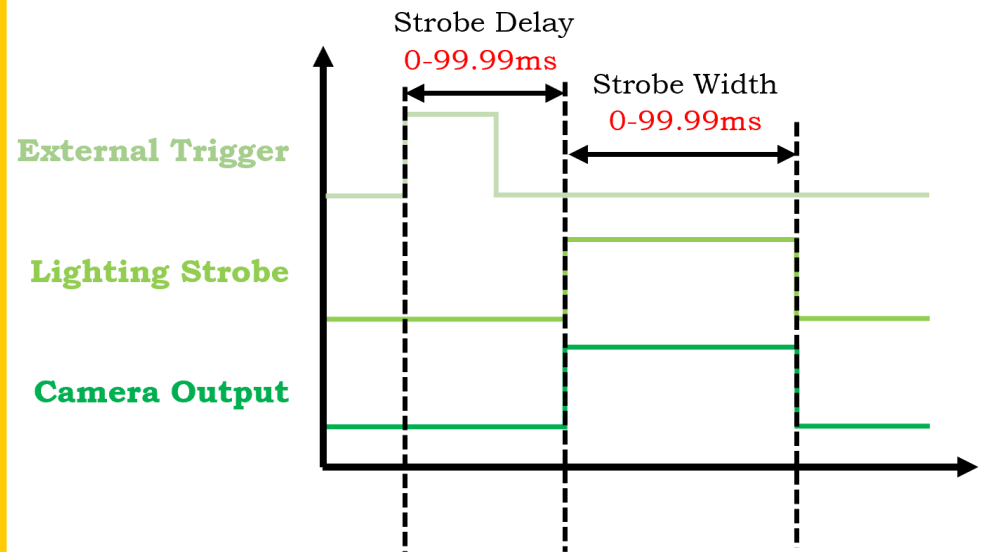


## ELECTRICAL PART

### SCHEMATIC DIAGRAM



### TIMING DIAGRAM



# CONTROLLER DATASHEET



## WIRING DIAGRAM

