



## Part Number:

LC-16-4CH-SQ

## Product Naming Convention:

LC-16-4CH-SQ

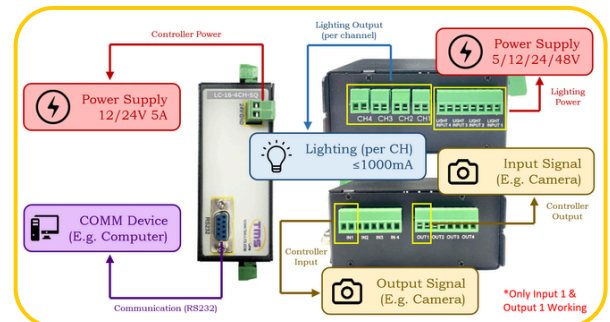


1. Light Controller
2. Series 16
3. 4 Channels
4. Sequence

## Specifications:

<b>Type</b>	Digital Controller
<b>Series</b>	LC-16 Series
<b>Dimension</b>	120 x 92.6 x 43 mm
<b>Communication Type</b>	RS232
<b>Controller Supply Voltage</b>	12V ~ 24VDC
<b>Output Current</b>	1A / Channel
<b>Lighting (Input Voltage)</b>	Max. 48V
<b>Lighting (Output Voltage)</b>	Based on lighting input voltage
<b>Digital Input</b>	1
<b>Digital Output</b>	1
<b>No. of channel</b>	4 Channels
<b>Mode</b>	Constant, Strobe & Trigger
<b>Strobe Width</b>	0 - 99.99ms (0.01ms / step)
<b>Trigger Delay</b>	< 25µs

## Application



## Features

- Intensity control for LED lighting in machine vision applications
- 4 channels with individual settings
- 3 modes of operation for diverse application support

## Advantages

- Programmability
- Able to control multiple lighting
- Software control
- Able to sequence triggers effectively

## Benefits

- Compact size
- Fast respond in strobing
- Easy to install