

CONTROLLER DATASHEET



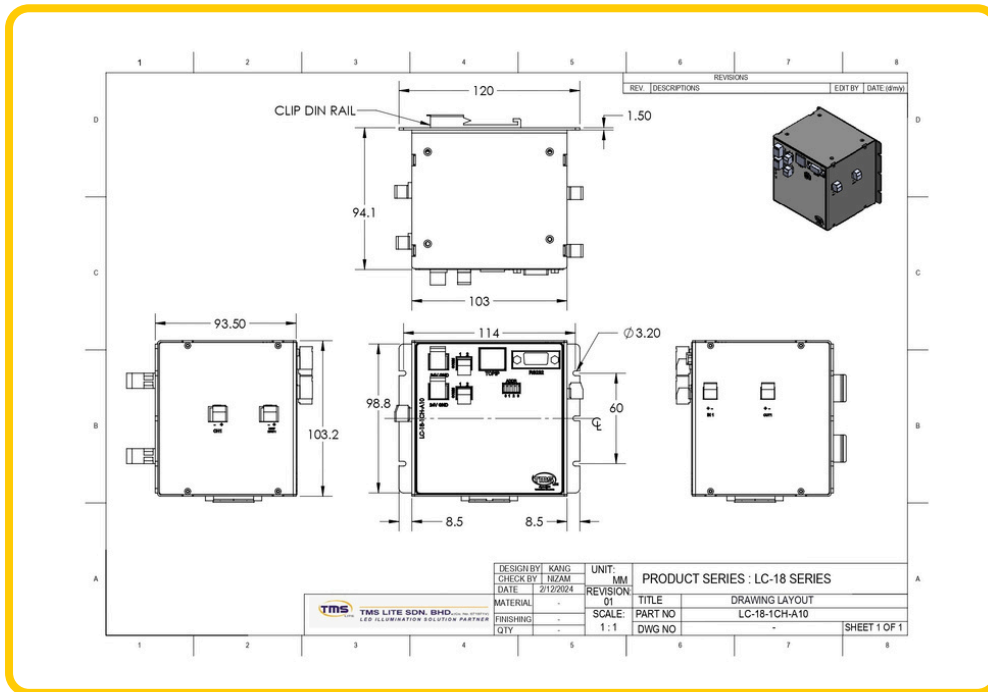
SCAN ME



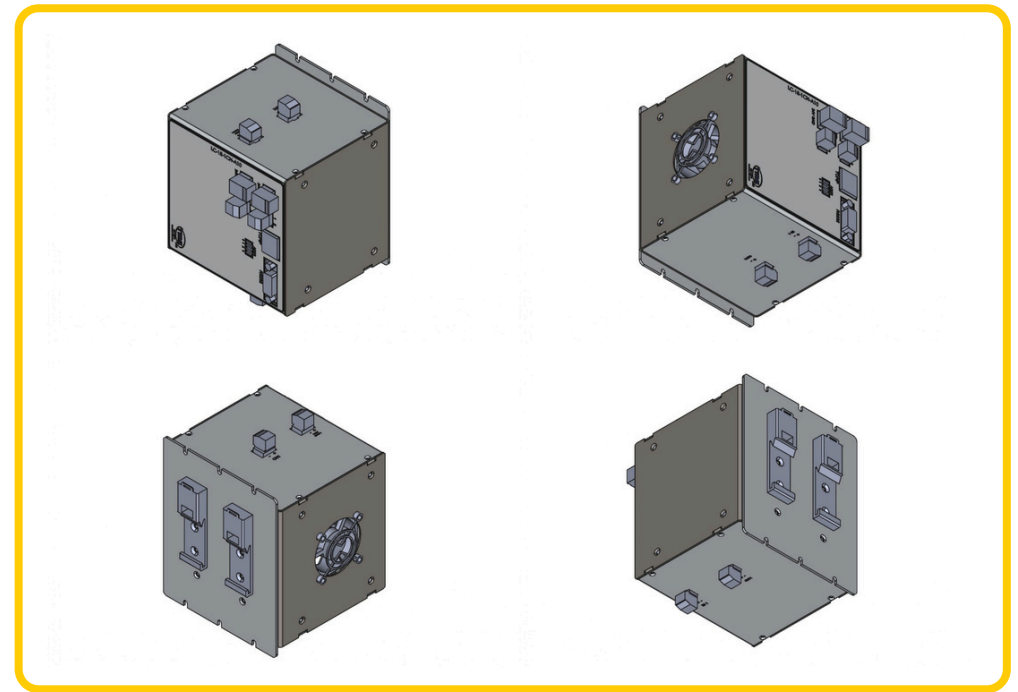
PART NUMBER: LC-18-1CH-A10

MECHANICAL PART

2D DRAWING

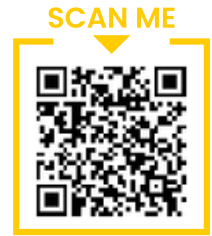


3D DRAWING



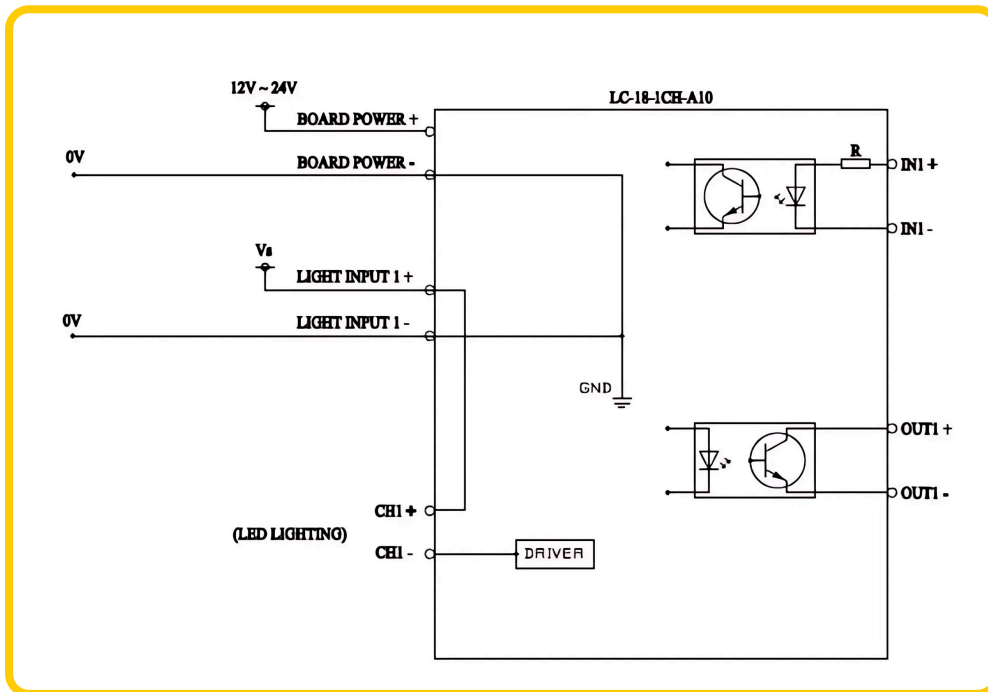
CONTROLLER DATASHEET

PART NUMBER: LC-18-1CH-A10

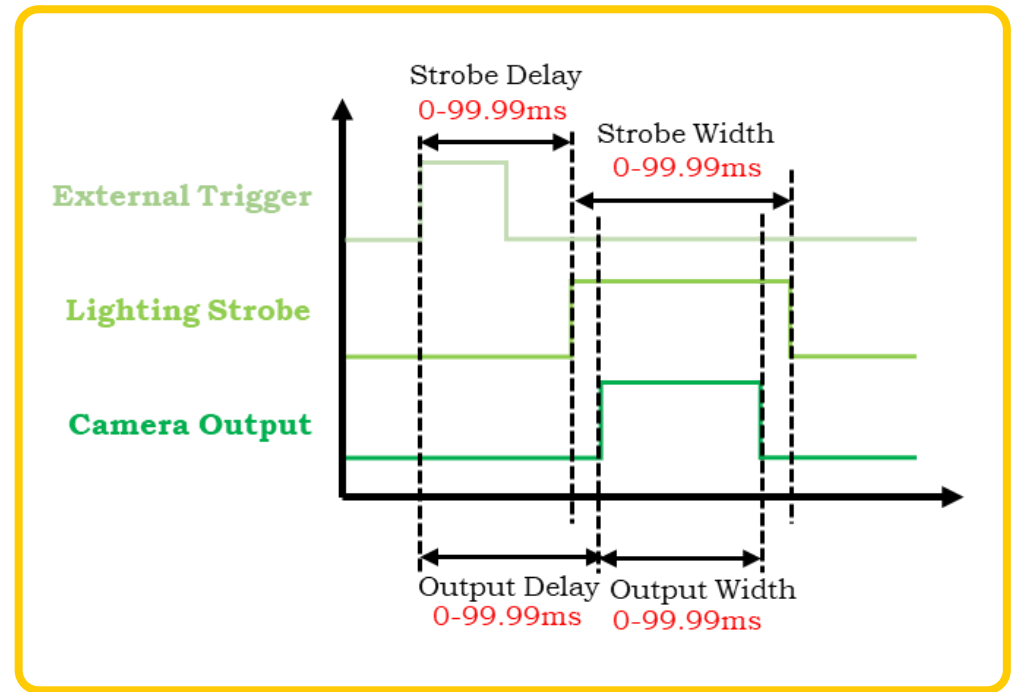


ELECTRICAL PART

SCHEMATIC DIAGRAM



TIMING DIAGRAM



CONTROLLER DATASHEET



SCAN ME



WIRING DIAGRAM

