



### Part Number:

DK-LC-18-1CH-A10-PS11.6A-XX

### Product Naming Convention:

DK-LC-18-1CH-A10-PS11.6A-XX

① - ② - ③ - ④ - ⑤ - ⑥ - ⑦

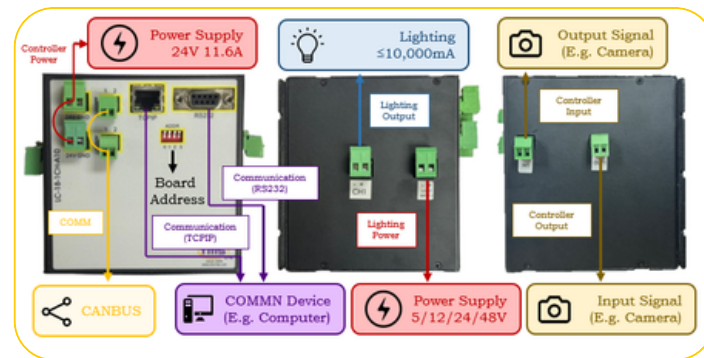
1. Demo Kit
2. Light Controller
3. Series 18
4. 1 Channel
5. Lighting Output Current 10.0A
6. Power Adapter Current: 11.6A
7. Power Cord Type: EU/US/UK

### Specifications:

<b>Type</b>	Digital Controller
<b>Series</b>	LC-18 Series
<b>Dimension</b>	120 x 94.1 x 103.2 mm
<b>Communication Type</b>	RS232, TCPIP
<b>Controller Supply Voltage</b>	12V ~ 24VDC
<b>Output Current</b>	10A / Channel
<b>Lighting (Input Voltage)</b>	5V, 12V, 24V and 48V
<b>Lighting (Output Voltage)</b>	Based on lighting input voltage
<b>Digital Input</b>	1
<b>Digital Output</b>	1
<b>No. of channel</b>	1 Channel
<b>Mode</b>	Constant, Strobe & Trigger
<b>Strobe Width</b>	0 - 99.99ms (0.01ms / step)
<b>Trigger Delay</b>	≤ 25us

### Box Dimension:

### Application



### Features

- Intensity control for LED lighting in machine vision applications
- 4 channels with individual settings
- 3 modes of operation for diverse application support

### Advantages

- Programmability
- Able to control lighting up to 10A current
- Software control
- Able to use TCPIP for communication
- Able to cascade via control board address

### Benefits

- Compact size
- Fast respond in strobing
- Easy to install