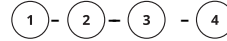




Part Number:
LC-18-1CH-A10

Product Naming Convention:

LC-18-1CH-A10

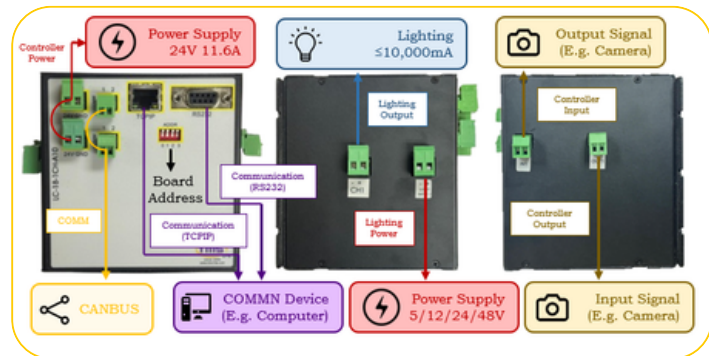


1. Light Controller
2. Series 18
3. 1 Channel
4. Lighting Output Current 10.0A

Specifications:

Type	Digital Controller
Series	LC-18 Series
Dimension	120 x 94.1 x 103.2 mm
Communication Type	RS232, TCPIP
Controller Supply Voltage	12V ~ 24VDC
Output Current	10A / Channel
Lighting (Input Voltage)	5V, 12V, 24V and 48V
Lighting (Output Voltage)	Based on lighting input voltage
Digital Input	1
Digital Output	1
No. of channel	1 Channel
Mode	Constant, Strobe & Trigger
Strobe Width	0 - 99.99ms (0.01ms / step)
Trigger Delay	≤ 25us

Application



Features

- Intensity control for LED lighting in machine vision applications
- 4 channels with individual settings
- 3 modes of operation for diverse application support

Advantages

- Programmability
- Able to control lighting up to 10A current
- Software control
- Able to use TCPIP for communication
- Able to cascade via control board address

Benefits

- Compact size
- Fast respond in strobing
- Easy to install