

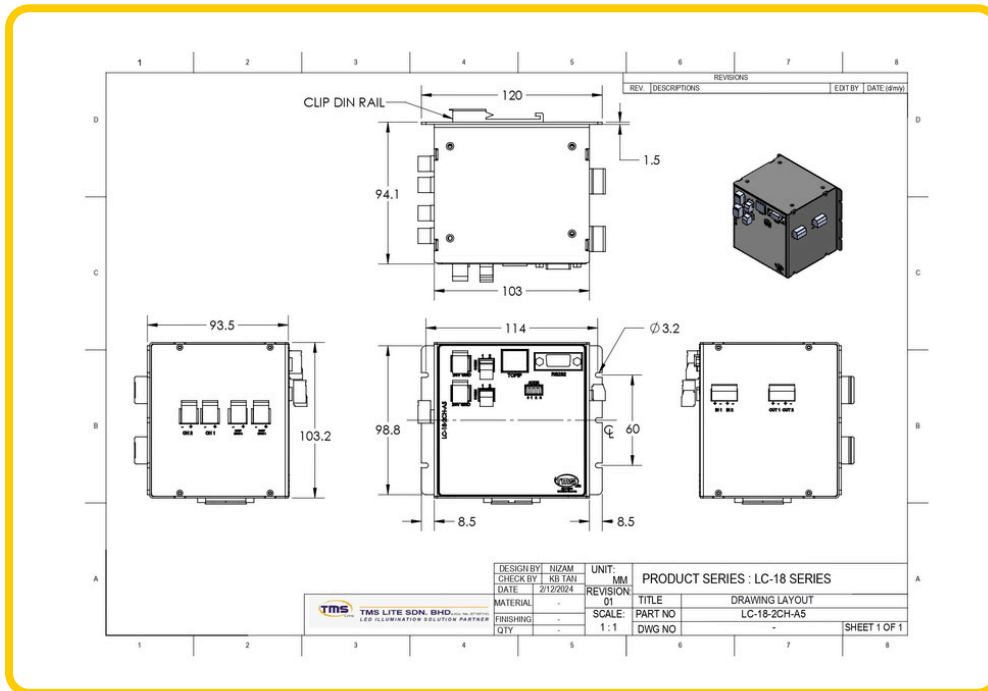
CONTROLLER DATASHEET



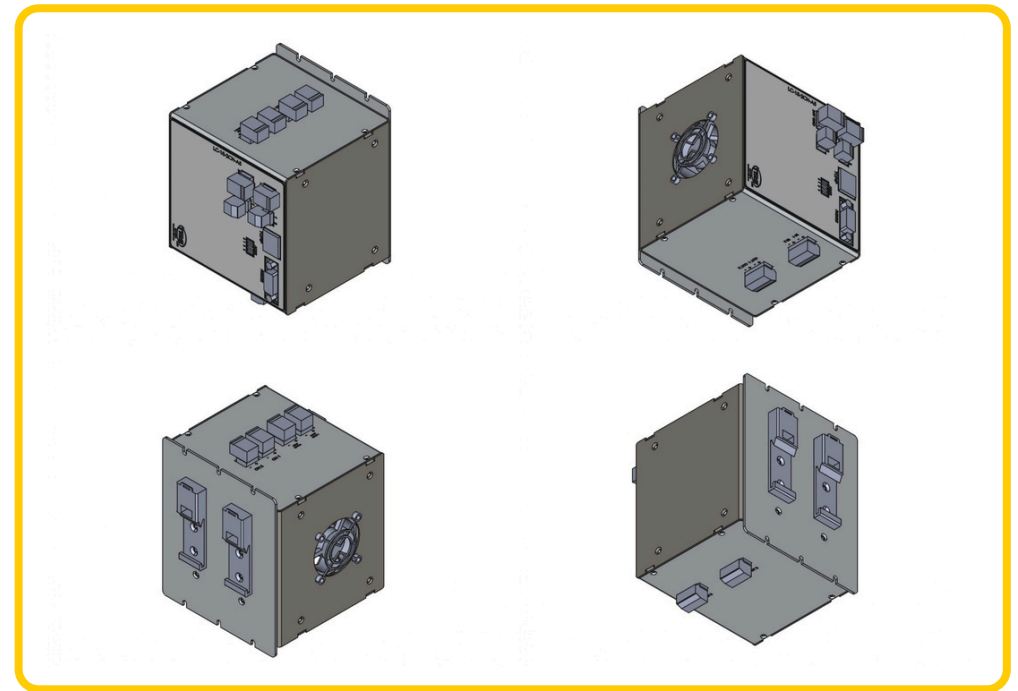
PART NUMBER: LC-18-2CH-A5

MECHANICAL PART

2D DRAWING



3D DRAWING



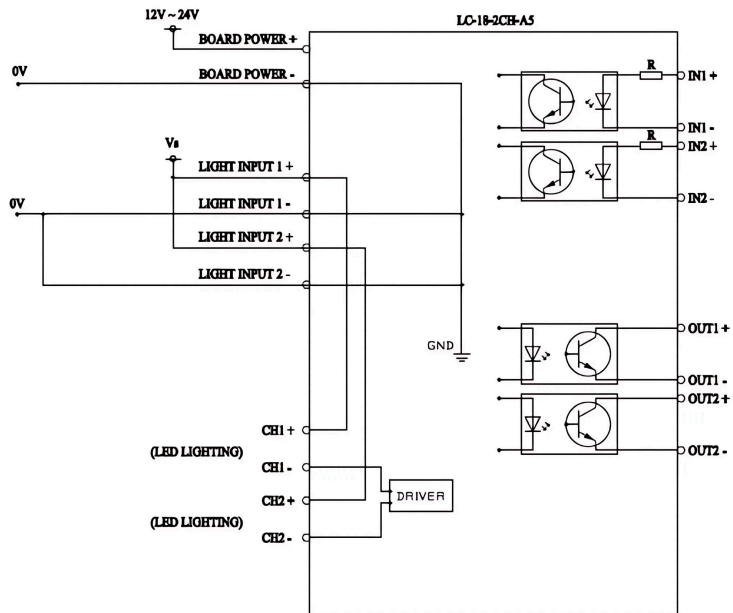
CONTROLLER DATASHEET

PART NUMBER: LC-18-2CH-A5

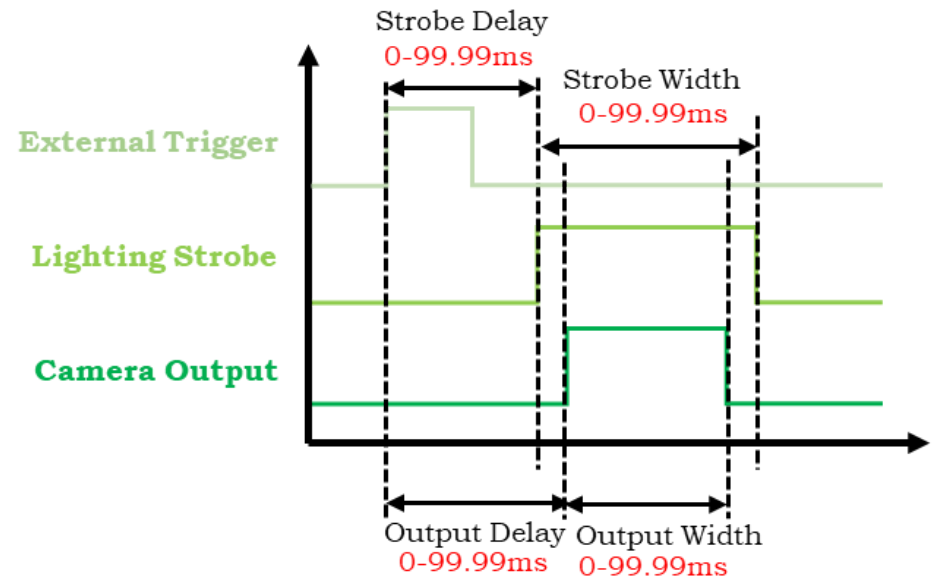


ELECTRICAL PART

SCHEMATIC DIAGRAM



TIMING DIAGRAM



CONTROLLER DATASHEET



WIRING DIAGRAM

