



Part Number:

DK-LC-18-2CH-A5-PS11.6A-XX

Product Naming Convention:

DK-LC-18-2CH-A5-PS11.6A-XX

① - ② - ③ - ④ - ⑤ - ⑥ - ⑦

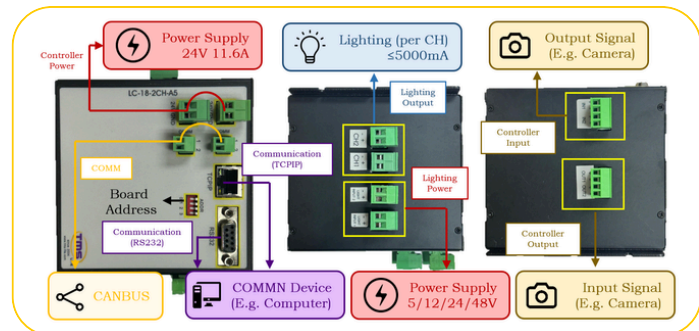
1. Demo Kit
2. Light Controller
3. Series 18
4. 2 Channels
5. Lighting Output Current 5.0A
6. Power Adapter Current: 11.6A
7. Power Cord Type: EU/US/UK

Specifications:

Type	Digital Controller
Series	LC-18 Series
Dimension	120 x 94.1 x 103.2 mm
Communication Type	RS232, TCPIP
Controller Supply Voltage	12V ~ 24VDC
Output Current	5A / Channel
Lighting (Input Voltage)	5V, 12V, 24V and 48V
Lighting (Output Voltage)	Based on lighting input voltage
Digital Input	2
Digital Output	2
No. of channel	2 Channels
Mode	Constant, Strobe & Trigger
Strobe Width	0 - 99.99ms (0.01ms / step)
Trigger Delay	≤ 25us

Box Dimension:

Application



Features

- Intensity control for LED lighting in machine vision applications
- 2 channels with individual settings
- 3 modes of operation for diverse application support

Advantages

- Programmability
- Able to control multiple lighting
- Able to control lighting up to 5A current
- Software control
- Able to use TCPIP for communication
- Able to cascade via control board address

Benefits

- Compact size
- Fast respond in strobing
- Easy to install