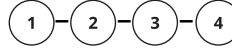




Part Number:
LC-18-4CH-A1

Product Naming Convention:

LC-18-4CH-A1

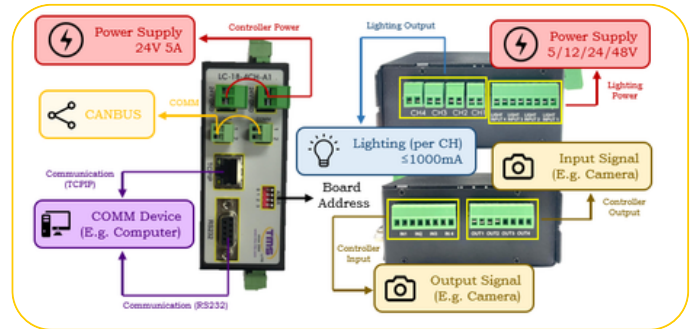


1. Light Controller
2. Series 18
3. 4 Channels
4. Lighting Output Current

Specifications:

Type	Digital Controller
Series	LC-18 Series
Dimension	120 x 92.6 x 43 mm
Communication Type	RS232, TCP/IP
Controller Supply Voltage	12V ~ 24VDC
Output Current	1A / Channel
Lighting (Input Voltage)	5V, 12V, 24V and 48V
Lighting (Output Voltage)	Based on lighting input voltage
Digital Input	4
Digital Output	4
No. of channel	4 Channels
Mode	Constant, Strobe & Trigger
Strobe Width	0 - 99.99ms (0.01ms / step)
Trigger Delay	≤ 25μs

Application



Features

- Intensity control for LED lighting in machine vision applications
- 4 channels with individual settings
- 3 modes of operation for diverse application support

Advantages

- Programmability
- Able to control multiple lighting
- Software control
- Able to use TCP/IP for communication
- Able to cascade via control board address

Benefits

- Compact size
- Fast respond in strobing
- Easy to install