



## Part Number:

DK-LC-18-4CH-KP1-PS5.0A-XX

## Product Naming Convention:

DK-LC-18-4CH-KP1-PS5.0A-XX

① - ② - ③ - ④ - ⑤ - ⑥ - ⑦

1. Demo Kit
2. Light Controller
3. Series 18
4. 4 Channels
5. With Keypad
7. Power Adapter Current: 5.0A
8. Power Cord Type: UK/US/EU

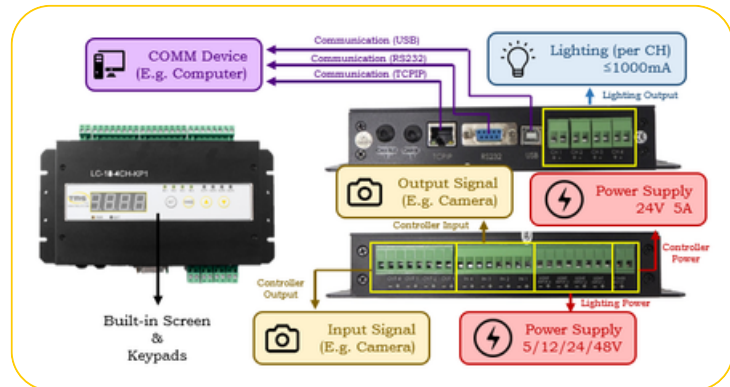
## Specifications:

<b>Type</b>	Digital Controller
<b>Series</b>	LC-18 Series
<b>Dimension</b>	210 x 103 x 37.95 mm
<b>Communication Type</b>	RS232, TCPIP, USB
<b>Controller Supply Voltage</b>	12V ~ 24VDC
<b>Output Current</b>	1A / Channel
<b>Lighting (Input Voltage)</b>	5V, 12V, 24V and 48V
<b>Lighting (Output Voltage)</b>	Based on lighting input voltage
<b>Digital Input</b>	4
<b>Digital Output</b>	4
<b>No. of channel</b>	4 Channels
<b>Mode</b>	Constant, Strobe & Trigger
<b>Strobe Width</b>	0 - 99.99ms (0.01ms / step)
<b>Trigger Delay</b>	≤ 25μs

## Box Dimension:

L 350 x W 145 x H 220

## Application



## Features

- Intensity control for LED lighting in machine vision applications
- 4 channels with individual settings
- 3 modes of operation for diverse application support

## Advantages

- Programmability
- Capable of preventing RGBW lighting from overheating
- Software control
- Able to use TCPIP for communication
- Able to cascade via control board address

## Benefits

- Compact size
- Fast respond in strobing
- Easy to install