

DK-LC-18-4CH-RGBW-A1-PS5.0A-XX

SCAN ME



Specifications:

Type	Digital Controller
Series	LC-18 Series
Dimension	120 x 92.6 x 43 mm
Communication Type	RS232, TCPIP
Controller Supply Voltage	12V ~ 24VDC
Output Current	1A / Channel
Lighting (Input Voltage)	5V, 12V, 24V and 48V
Lighting (Output Voltage)	Based on lighting input voltage
Digital Input	4
Digital Output	4
No. of channel	4 Channels
Mode	Constant, Strobe & Trigger
Strobe Width	0 - 99.99ms (0.01ms / step)
Trigger Delay	≤ 25μs

Part Number:

DK-LC-18-4CH-RGBW-A1-PS5.0A-XX

Product Naming Convention:

DK-LC-18-4CH-RGBW-A1-PS5.0A-XX

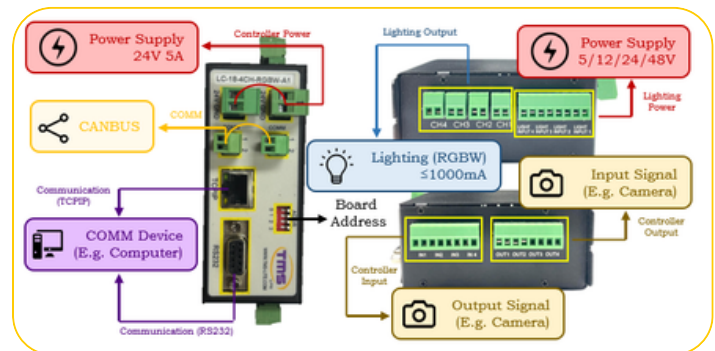
① - ② - ③ - ④ - ⑤ - ⑥ - ⑦ - ⑧

1. Demo Kit
2. Light Controller
3. Series 18
4. 4 Channels
5. Red, Green, Blue and White
6. Lighting Output Current
7. Power Adapter Current: 5.0A
8. Power Cord Type: UK/US/EU

Box Dimension:

L 350 x W 145 x H 220

Application



Features

- Intensity control for LED lighting in machine vision applications
- 4 channels with individual settings
- 3 modes of operation for diverse application support

Advantages

- Programmability
- Capable of preventing RGBW lighting from overheating
- Software control
- Able to use TCPIP for communication
- Able to cascade via control board address

Benefits

- Compact size
- Fast respond in strobing
- Easy to install