

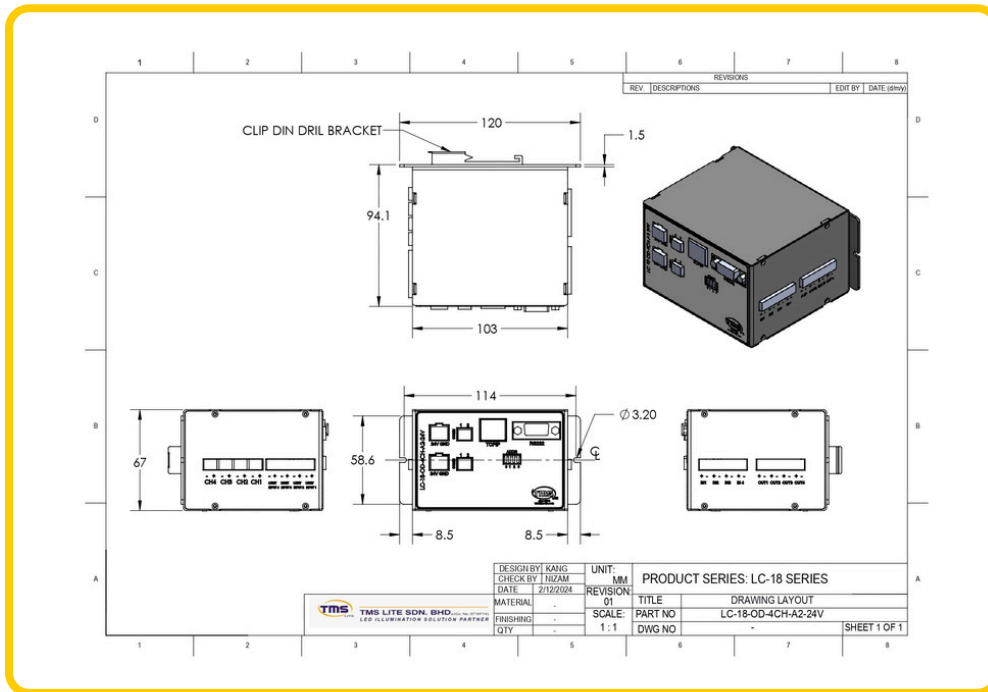
CONTROLLER DATASHEET



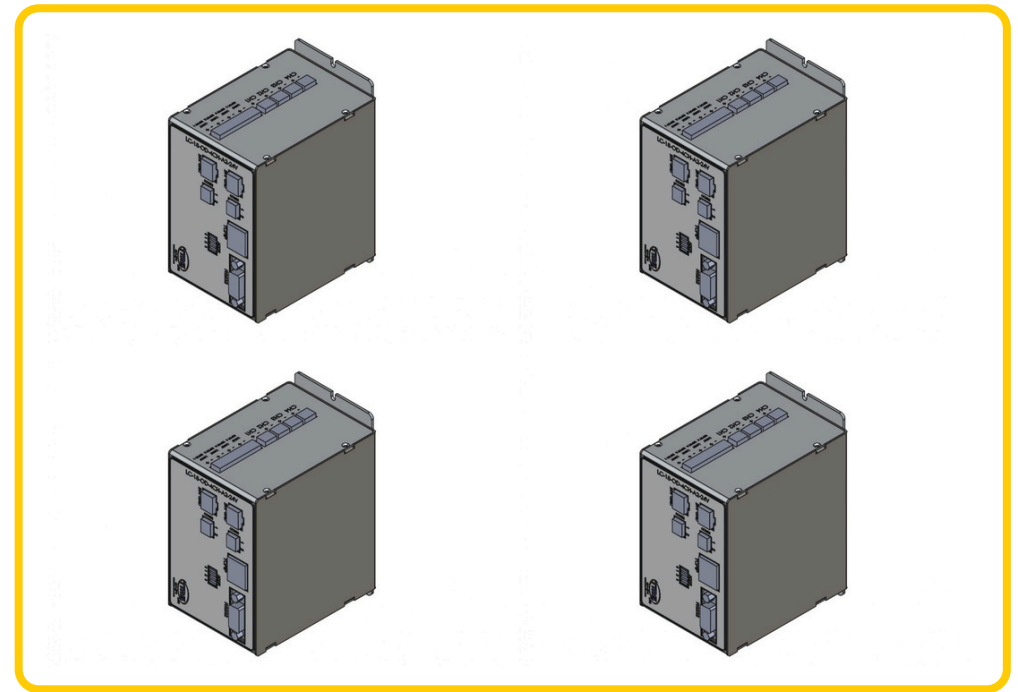
PART NUMBER: LC-18-OD-4CH-A2-24V

MECHANICAL PART

2D DRAWING



3D DRAWING



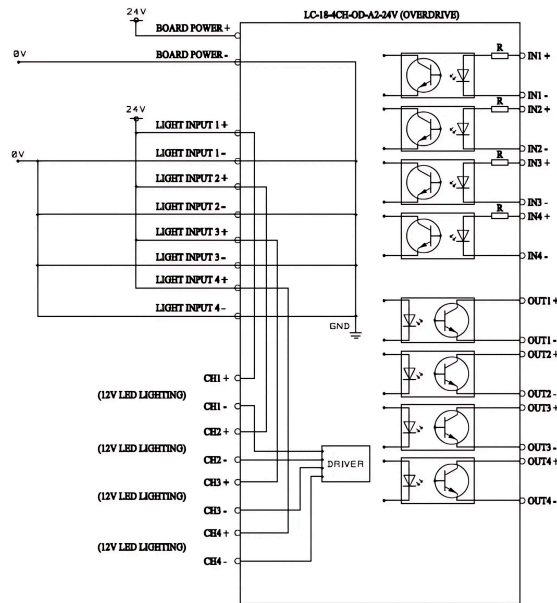
CONTROLLER DATASHEET



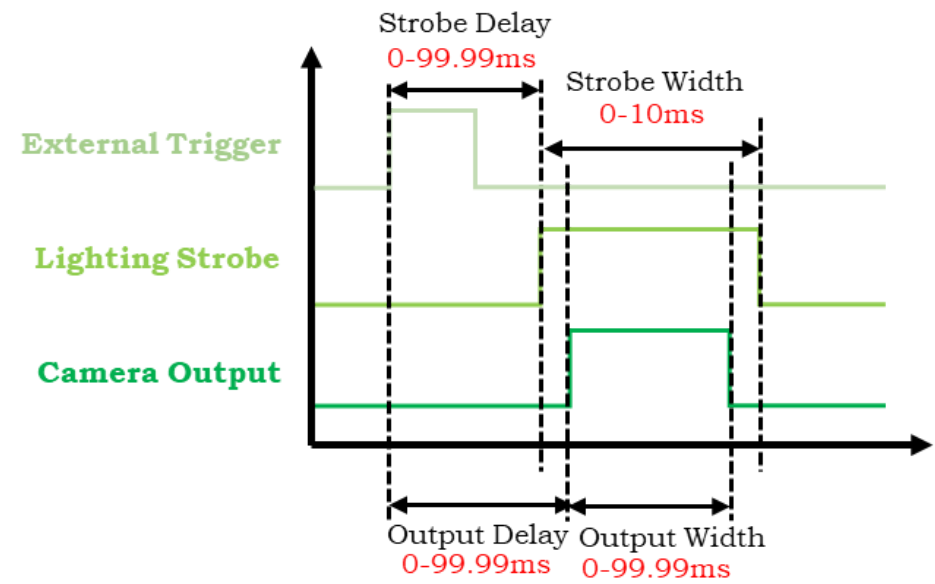
PART NUMBER: LC-18-OD-4CH-A2-24V

ELECTRICAL PART

SCHEMATIC DIAGRAM



TIMING DIAGRAM



CONTROLLER DATASHEET



SCAN ME



WIRING DIAGRAM

