



Part Number:

LC-18-OD-4CH-A2-24V

Product Naming Convention:

LC-18-OD-4CH-A2-24V

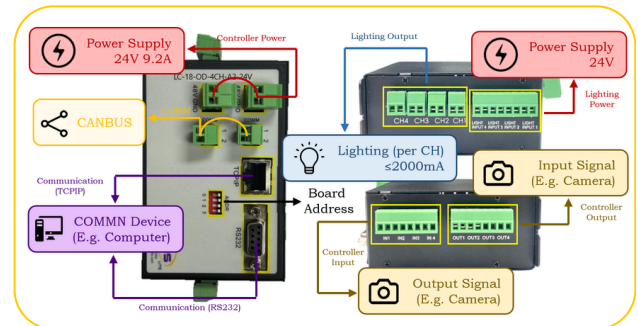
① - ② - ③ - ④ - ⑤ - ⑥

1. Light Controller
2. Series 18
3. Overdrive
4. 4 Channels
5. Lighting Output Current 2.0A
6. Power Adapter Voltage : 24V

Specifications:

| | |
|----------------------------------|---------------------------------|
| Type | Digital Controller |
| Series | LC-18 Series |
| Dimension | 120 x 94.1 x 67 mm |
| Communication Type | RS232, TCP/IP |
| Controller Supply Voltage | 24VDC |
| Output Current | 2A / Channel |
| Lighting (Input Voltage) | 24V |
| Lighting (Output Voltage) | Based on lighting input voltage |
| Digital Input | 4 |
| Digital Output | 4 |
| No. of channel | 4 Channels |
| Mode | Strobe |
| Strobe Width | 0-10.00ms (0.01ms/step) |
| Trigger Delay | ≤ 25μs |

Application



Features

- Intensity control for LED lighting in machine vision applications
- 4 channels with individual settings
- 1 mode of operation for diverse application support

Advantages

- Programmability
- Able to control multiple lighting
- Software control
- Able to overdrive for 12V lighting

Benefits

- Compact size
- Fast respond in strobing
- Easy to install