



## Specifications:

Type	Digital Controller
Series	LC-18 Series
Dimension	120 x 94.1 x 67 mm
Communication Type	RS232, TCPIP
Controller Supply Voltage	48VDC
Output Current	2A / Channel
Lighting (Input Voltage)	48V
Lighting (Output Voltage)	Based on lighting input voltage
Digital Input	4
Digital Output	4
No. of channel	4 Channels
Mode	Strobe
Strobe Width	0-10.00ms (0.01ms / step)
Trigger Delay	≤ 25μs

## Part Number:

LC-18-OD-4CH-A2-48V

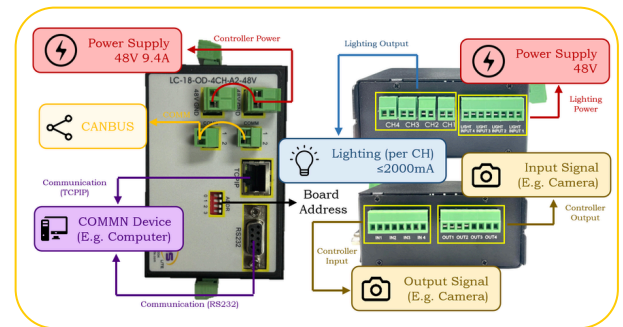
## Product Naming Convention:

LC-18-OD-4CH-A2-48V

① - ② - ③ - ④ - ⑤ - ⑥

1. Light Controller
2. Series 18
3. Overdrive
4. 4 Channels
5. Lighting Output Current 2.0A
6. Power Adapter Voltage : 48V

## Application



## Features

- Intensity control for LED lighting in machine vision applications
- 4 channels with individual settings
- 1 mode of operation for diverse application support

## Advantages

- Programmability
- Able to control multiple lighting
- Software control
- Able to overdrive for 24V lighting

## Benefits

- Compact size
- Fast respond in strobing
- Easy to install