



Specifications:

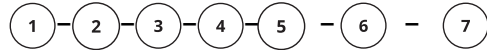
Type	Digital Controller
Series	LC-18 Series
Dimension	120 x 93.5 x 83.6 mm
Communication Type	To be connected with LC-18-M
Controller Supply Voltage	12V ~ 24VDC
Output Current	5A / Channel
Lighting (Input Voltage)	5V, 12V, 24V and 48V
Lighting (Output Voltage)	Based on lighting input voltage
Digital Input	2
Digital Output	2
No. of channel	2 Channels
Mode	Constant, Strobe & Trigger
Strobe Timing	0 - 99.99ms (0.01ms / step)
Trigger Delay	≤ 25μs

Part Number:

DK-LC-18-2CH-X5-PS11.6A-XX

Product Naming Convention:

DK-LC-18-2CH-X5-PS11.6A-XX

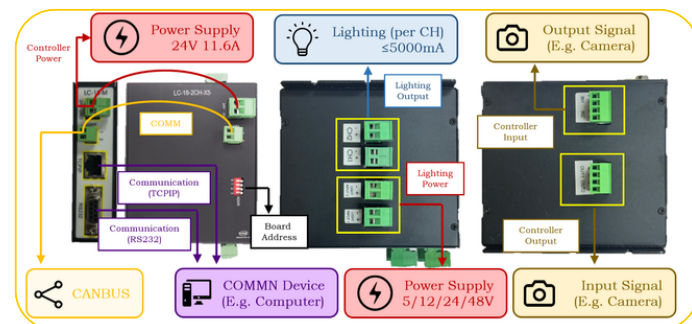


1. Demo Kit
2. Light Controller
3. Series 18
4. 2 Channels
5. Lighting Output Current 5.0A (without Master Board)
6. Power Adapter Current: 11.6A
7. Power Cord Type: UK/US/EU

Box Dimension:

L 350 x W 145 x H 220

Application



Features

- Intensity control for LED lighting in machine vision applications
- 2 channels with individual settings
- 3 modes of operation for diverse application support
- Need connect with LC-18-M

Advantages

- Programmability
- Able to control multiple lighting
- Able to control lighting up to 5A current
- Software control
- Able to cascade via control board address

Benefits

- Compact size
- Fast respond in strobing
- Easy to install