

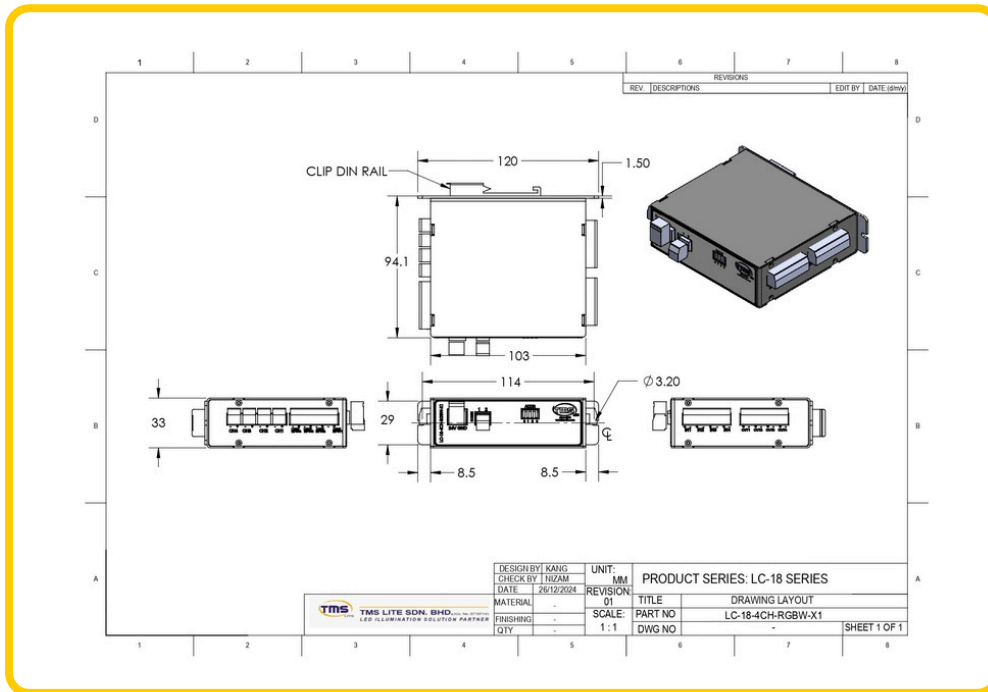
# CONTROLLER DATASHEET



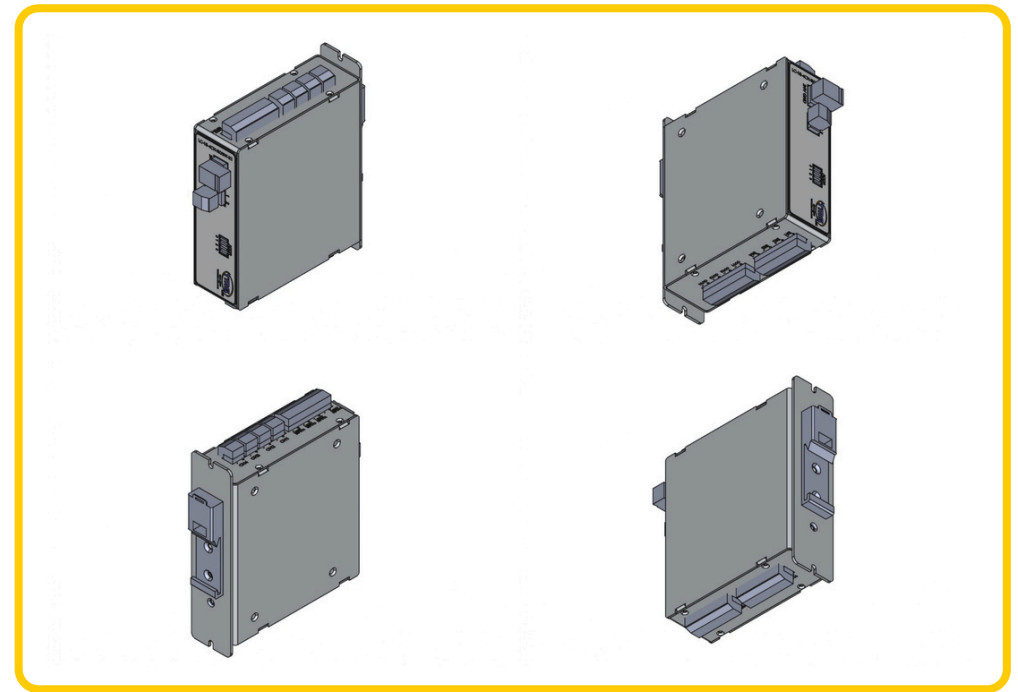
**PART NUMBER: LC-18-4CH-RGBW-X1**

## MECHANICAL PART

### 2D DRAWING



### 3D DRAWING



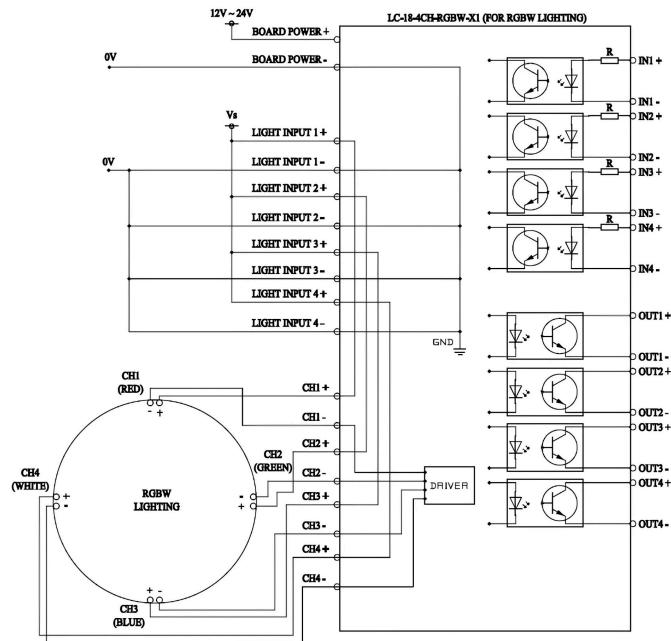
# CONTROLLER DATASHEET



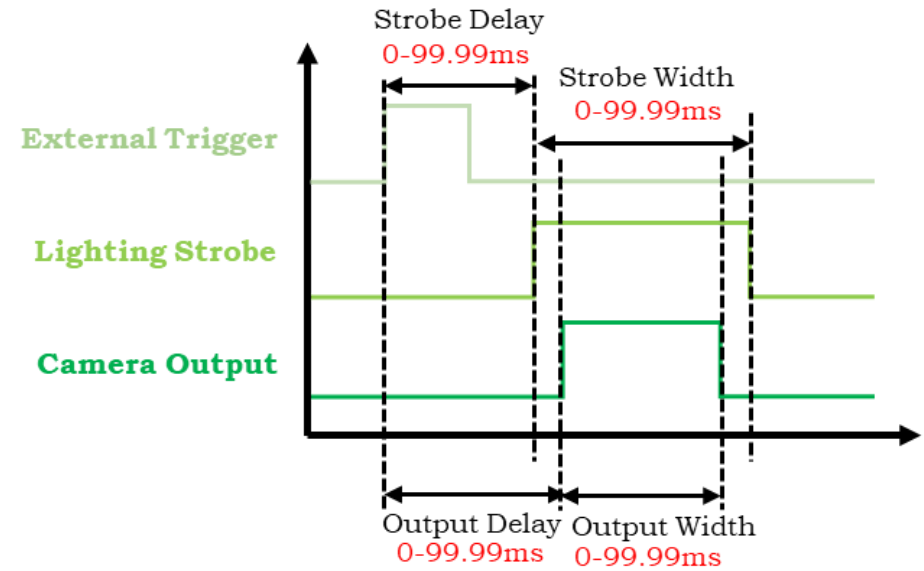
PART NUMBER: LC-18-4CH-RGBW-X1

## ELECTRICAL PART

### SCHEMATIC DIAGRAM



### TIMING DIAGRAM



# CONTROLLER DATASHEET



## WIRING DIAGRAM

