

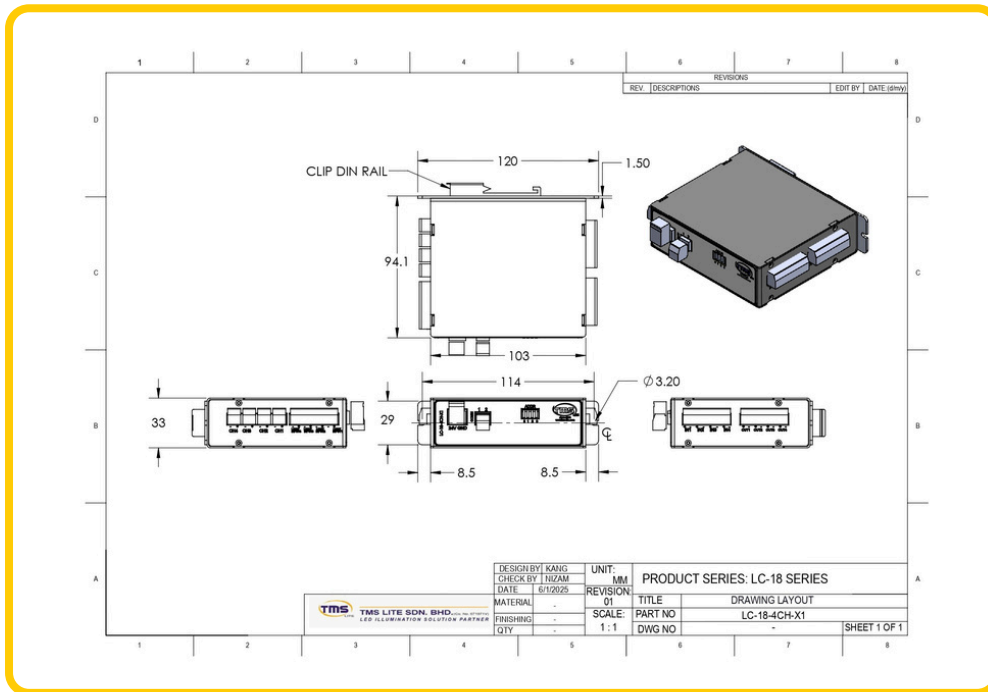
CONTROLLER DATASHEET



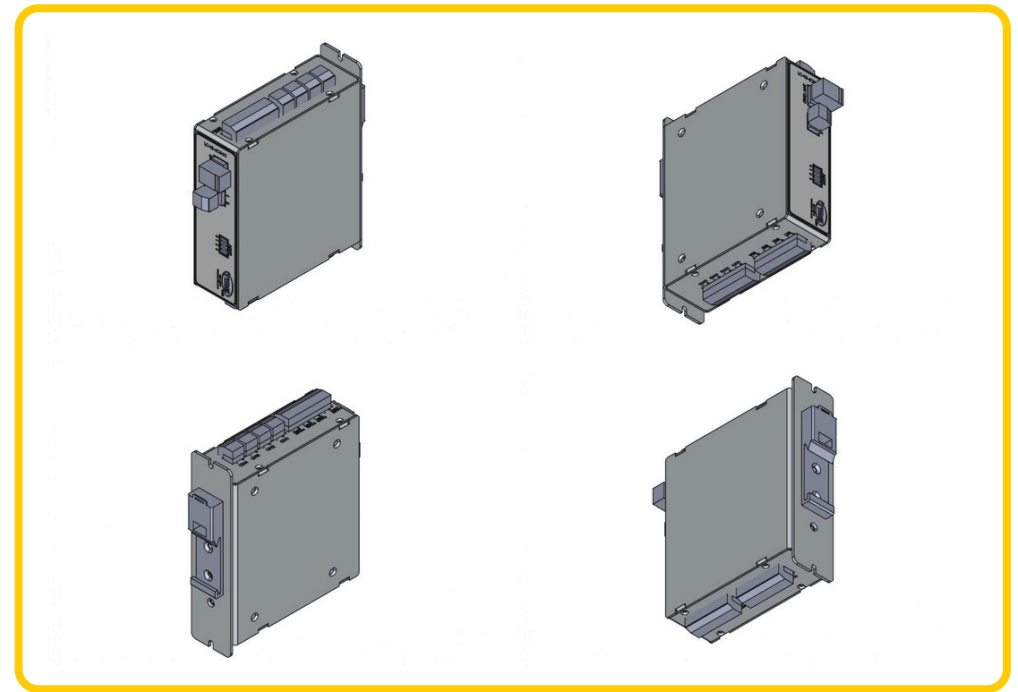
PART NUMBER: LC-18-4CH-X1

MECHANICAL PART

2D DRAWING



3D DRAWING



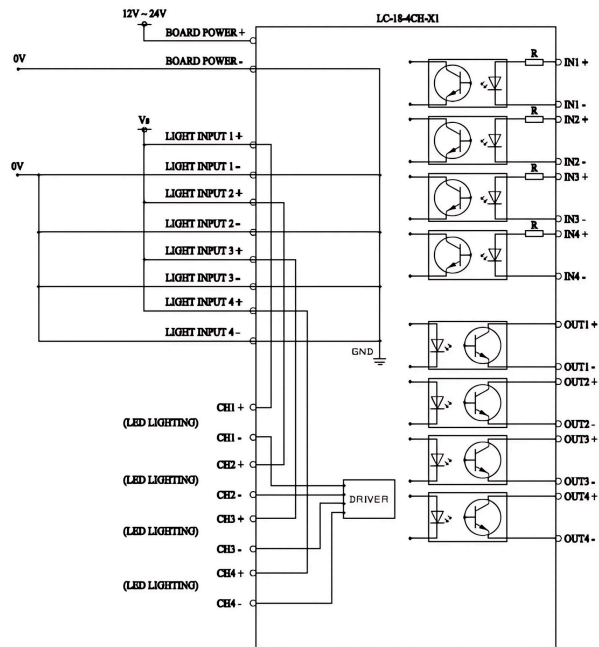
CONTROLLER DATASHEET



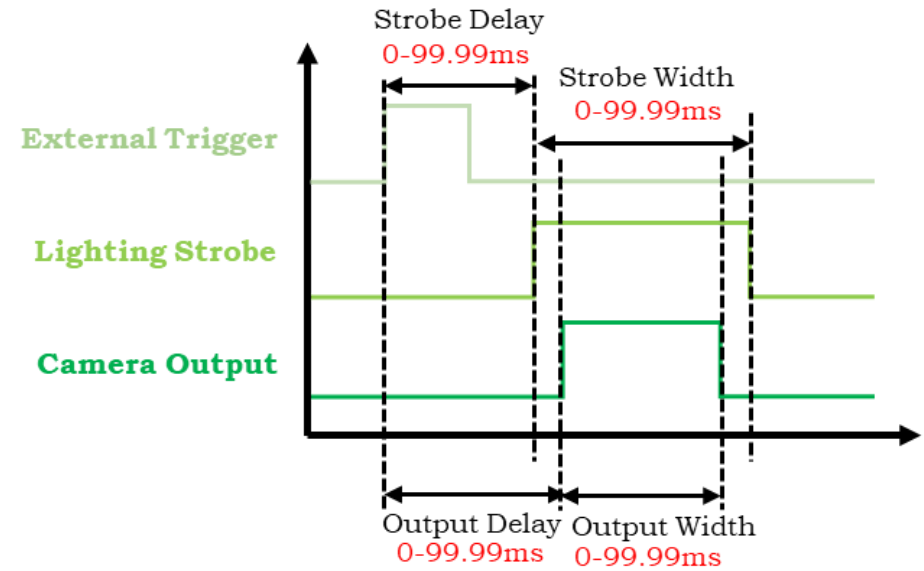
PART NUMBER: LC-18-4CH-X1

ELECTRICAL PART

SCHEMATIC DIAGRAM



TIMING DIAGRAM



CONTROLLER DATASHEET



WIRING DIAGRAM

