

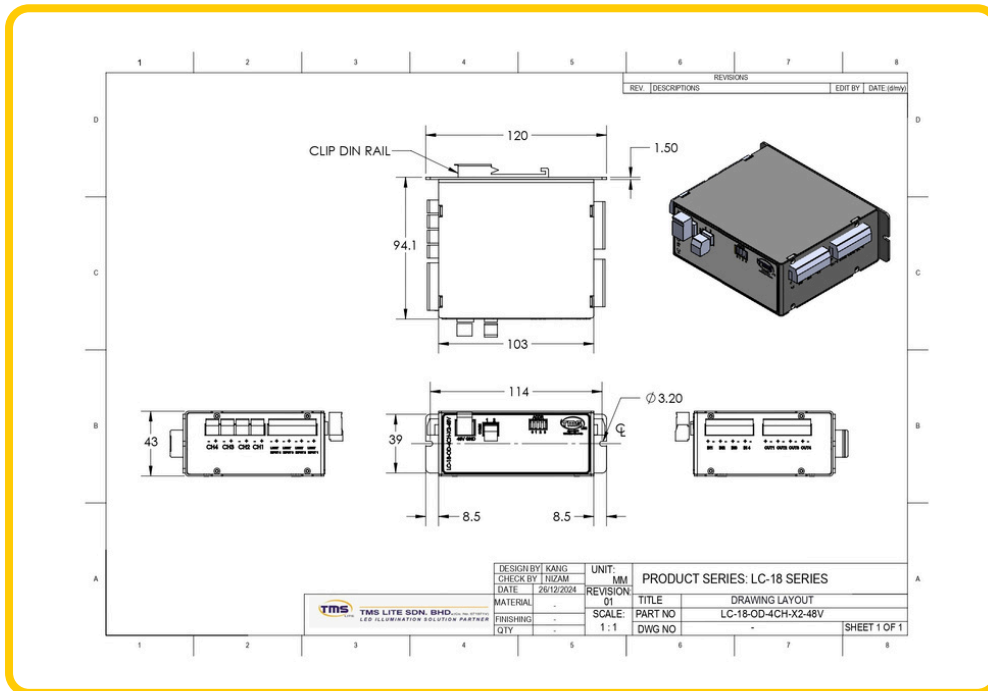
CONTROLLER DATASHEET



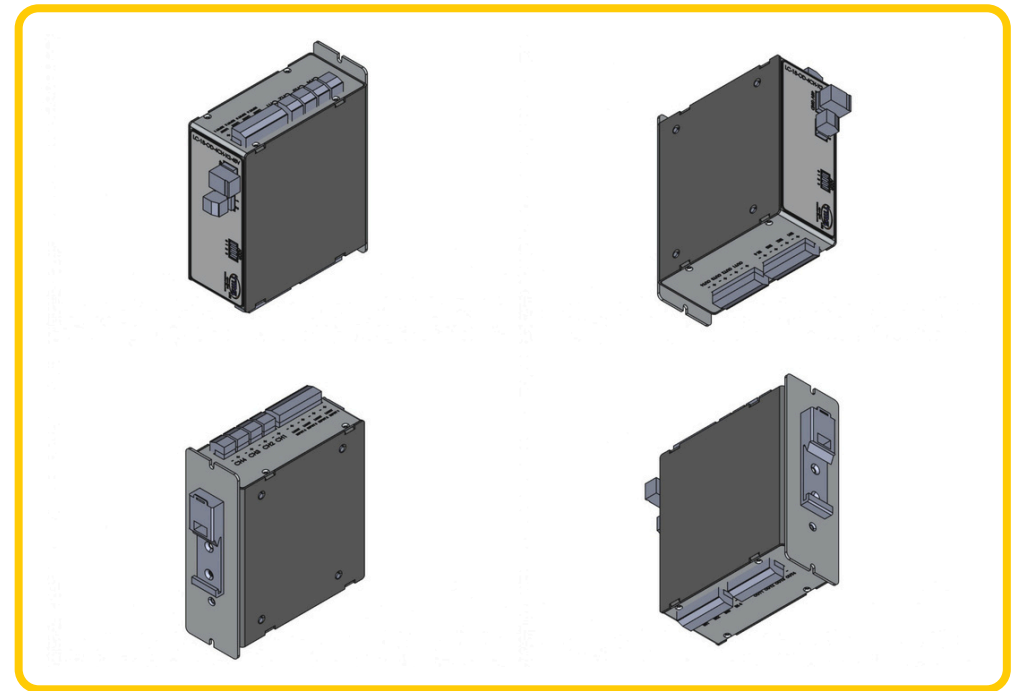
PART NUMBER: LC-18-OD-4CH-X2-48V

MECHANICAL PART

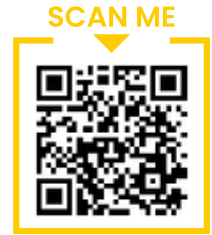
2D DRAWING



3D DRAWING



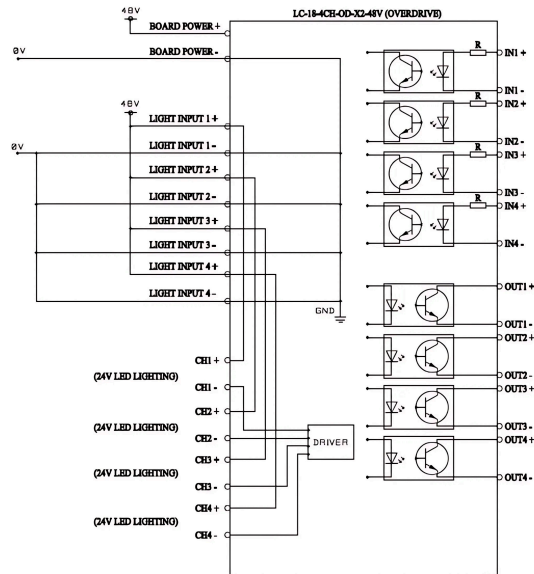
CONTROLLER DATASHEET



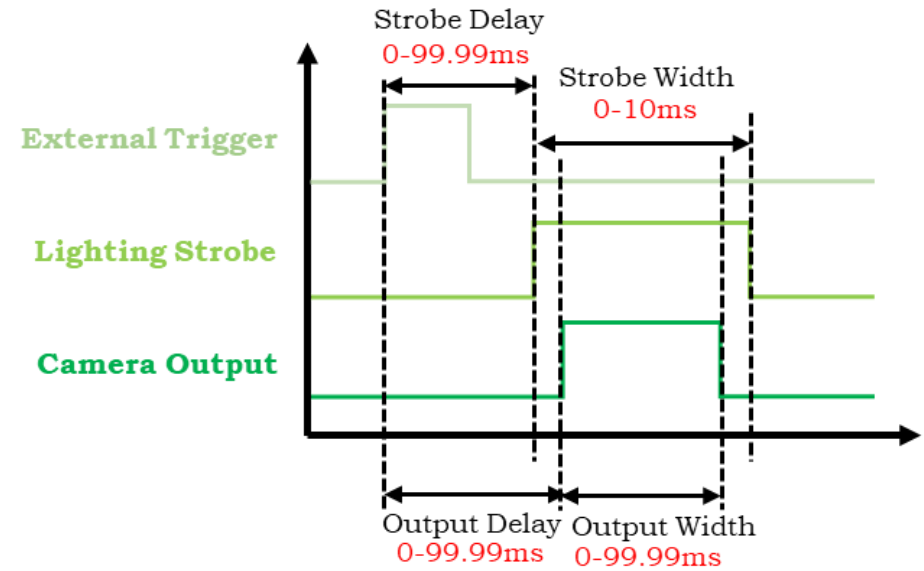
PART NUMBER: LC-18-OD-4CH-X2-48V

ELECTRICAL PART

SCHEMATIC DIAGRAM



TIMING DIAGRAM



CONTROLLER DATASHEET



WIRING DIAGRAM

