

# DK-LC-18-SQ-4CH-X1-PS5.0A-XX

SCAN ME



## Specifications:

<b>Type</b>	Digital Controller
<b>Series</b>	LC-18 Series
<b>Dimension</b>	120 x 94.1 x 33 mm
<b>Communication Type</b>	To be connected with LC-18-M
<b>Controller Supply Voltage</b>	12V ~ 24VDC
<b>Output Current</b>	1A / Channel
<b>Lighting (Input Voltage)</b>	5V, 12V, 24V and 48V
<b>Lighting (Output Voltage)</b>	Based on lighting input voltage
<b>Digital Input</b>	1
<b>Digital Output</b>	1
<b>No. of channel</b>	4 Channels
<b>Mode</b>	Constant, Strobe & Trigger
<b>Strobe Width</b>	0 - 99.99ms (0.01ms / step)
<b>Trigger Delay</b>	≤ 25μs

## Part Number:

DK-LC-18-SQ-4CH-X1-PS5.0A-XX

## Product Naming Convention:

DK-LC-18-SQ-4CH-X1-PS5.0A-XX

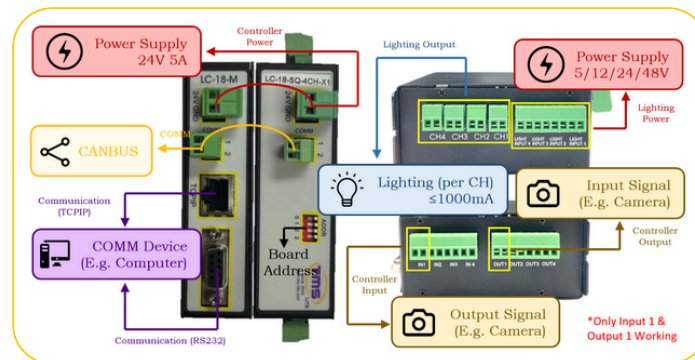
①-②-③-④-⑤-⑥-⑦ - ⑧

1. Demo Kit
2. Light Controller
3. Series 18
4. Sequence
5. 4 Channels
6. Lighting Output Current 1.0A (without Master Board)
7. Power Adapter Current: 5.0A
8. Power Cord Type: UK/US/EU

## Box Dimension:

L 350 x W 145 x H 220

## Application



## Features

- Intensity control for LED lighting in machine vision applications
- 4 channels with individual settings
- 3 modes of operation for diverse application support
- Need connect with LC-18-M

## Advantages

- Programmability
- Able to control multiple lighting
- Software control
- Able to sequence triggers effectively
- Able to cascade via control board address

## Benefits

- Compact size
- Fast respond in strobing
- Easy to install