

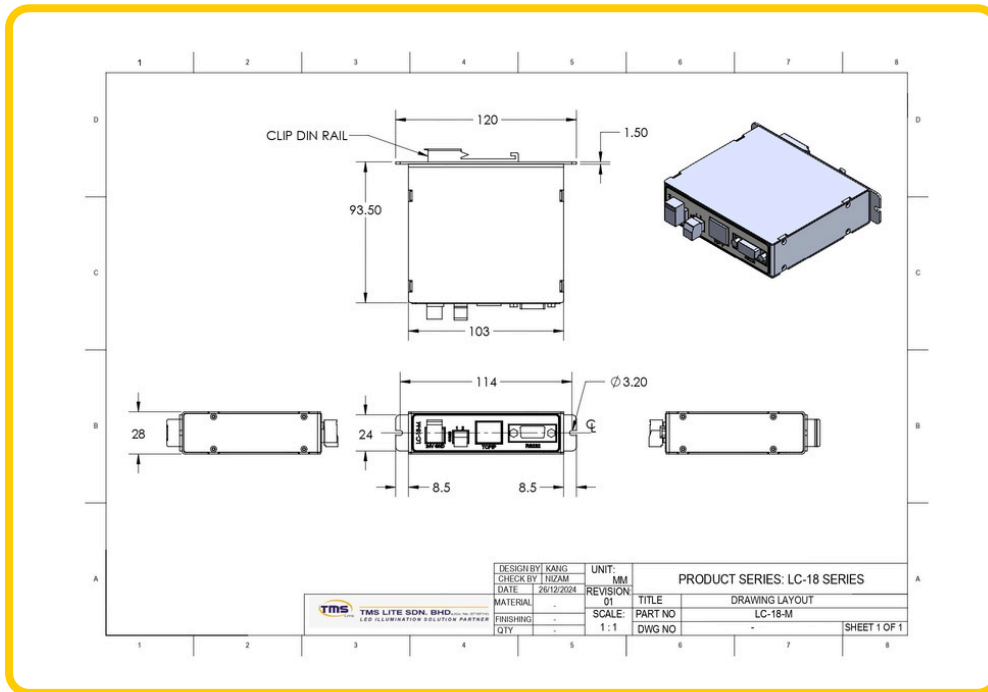
# CONTROLLER DATASHEET



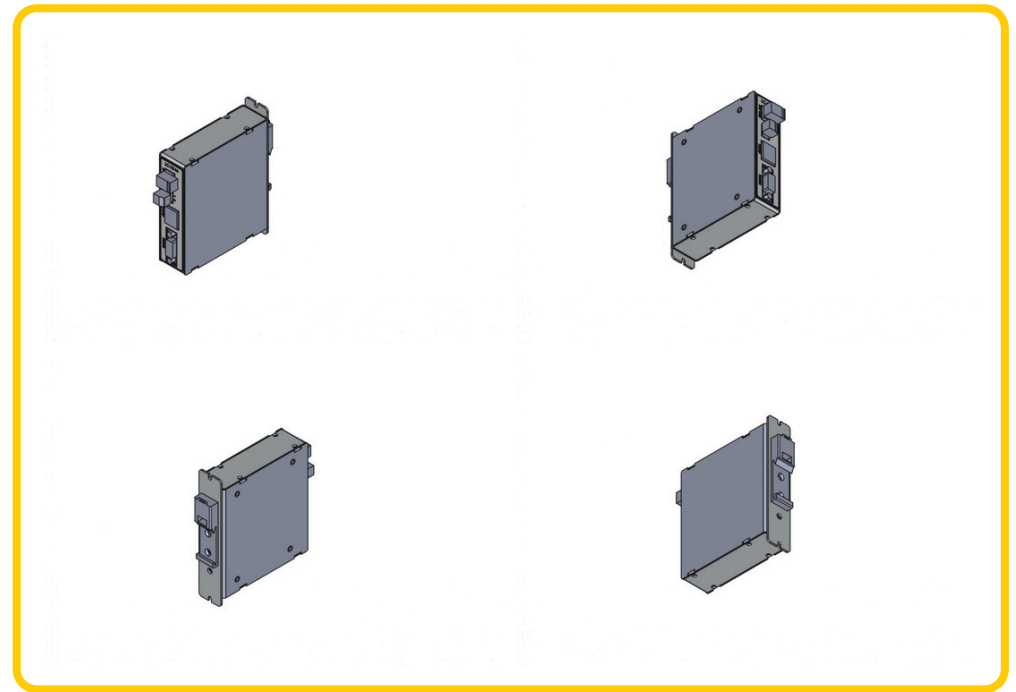
**PART NUMBER: LC-18-M**

## MECHANICAL PART

### 2D DRAWING



### 3D DRAWING



# CONTROLLER DATASHEET

**PART NUMBER: LC-18-M**



## ELECTRICAL PART

### SCHEMATIC DIAGRAM

**N/A**

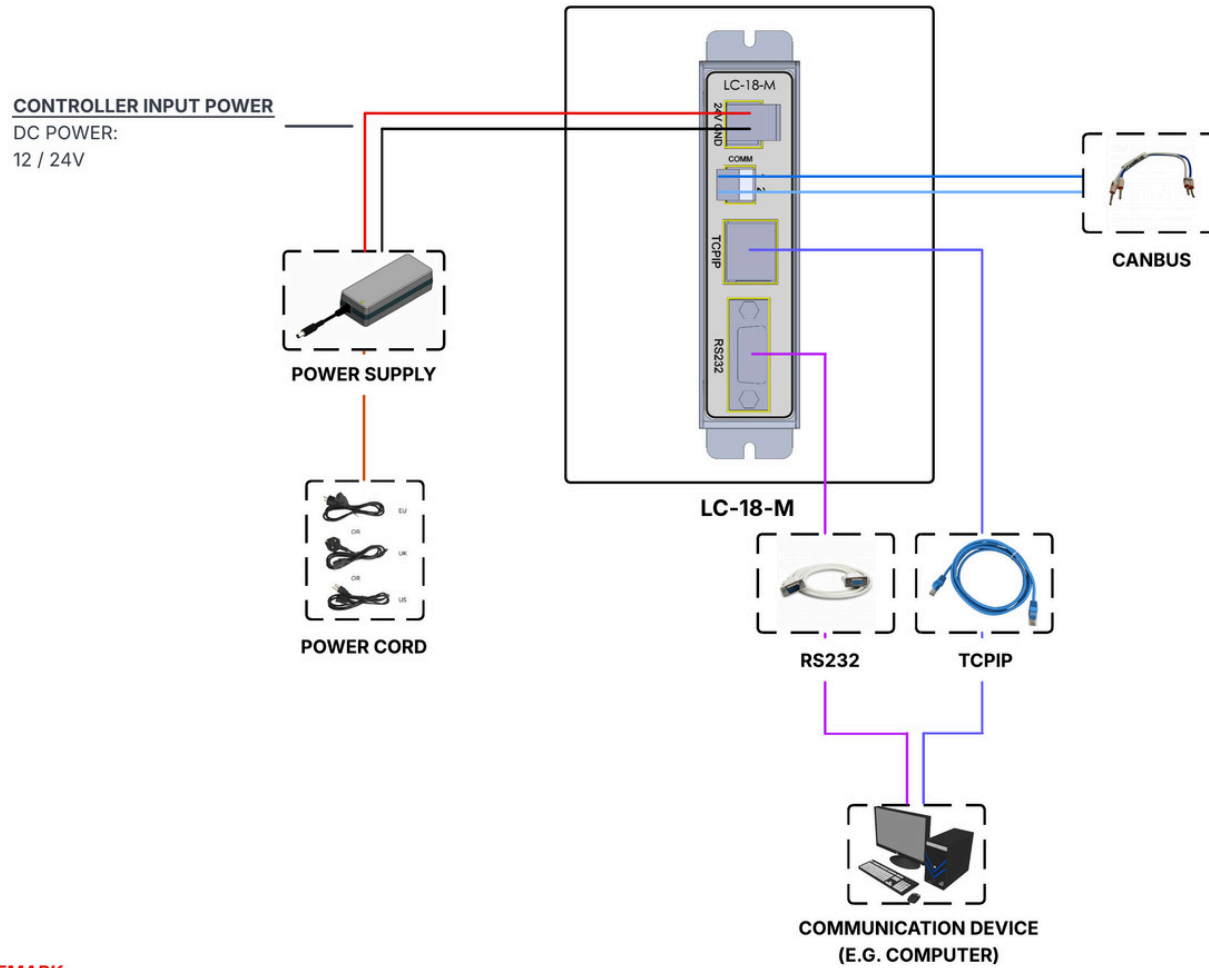
### TIMING DIAGRAM

**N/A**

# CONTROLLER DATASHEET



## WIRING DIAGRAM



**REMARK:**

MASTER UNIT FOR LC-18-X SERIES