

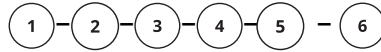


Part Number:

DK-LC-18-M-PS2.5A-XX

Product Naming Convention:

DK-LC-18-M-PS2.5A-XX

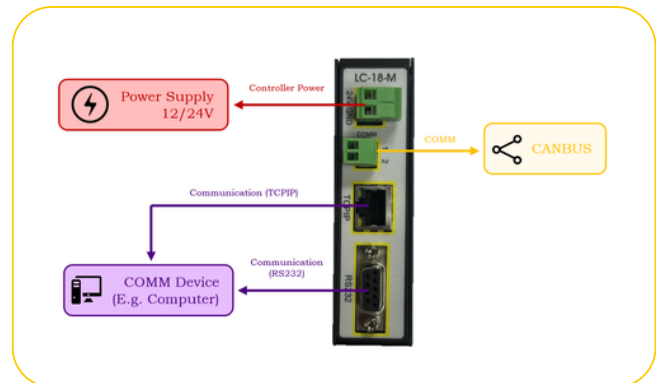


1. Demo Kit
2. Light Controller
3. Series 18
4. Master
5. Power Adapter Current: 2.5A
6. Power Cord Type: UK/US/EU

Specifications:

Type	Digital Controller
Series	LC-18 Series
Dimension	120 x 93.5 x 28 mm
Communication Type	RS232, TCPIP
Controller Supply Voltage	12V/24VDC
Output Current	N/A
Lighting (Input Voltage)	N/A
Lighting (Output Voltage)	N/A
Digital Input	N/A
Digital Output	N/A
No. of channel	N/A
Mode	N/A
Strobe Width	N/A
Trigger Delay	N/A

Application



Features

- Master unit for LC-18-X
- Contains RS232 and TCPIP communication

Advantages

- Communication hub between the PC and slave units

Benefits

- Compact size
- Easy to install