

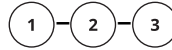


Part Number:

LC-18-M

Product Naming Convention:

LC-18-M

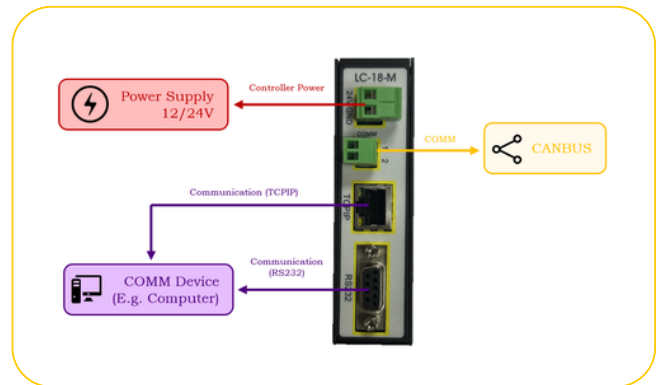


1. Light Controller
2. Series 18
3. Master

Specifications:

Type	Digital Controller
Series	LC-18 Series
Dimension	120 x 93.5 x 28 mm
Communication Type	RS232, TCPIP
Controller Supply Voltage	12V/24VDC
Output Current	N/A
Lighting (Input Voltage)	N/A
Lighting (Output Voltage)	N/A
Digital Input	N/A
Digital Output	N/A
No. of channel	N/A
Mode	N/A
Strobe Width	N/A
Trigger Delay	N/A

Application



Features

- Master unit for LC-18-X
- Contains RS232 and TCPIP communication

Advantages

- Communication hub between the PC and slave units

Benefits

- Compact size
- Easy to install