

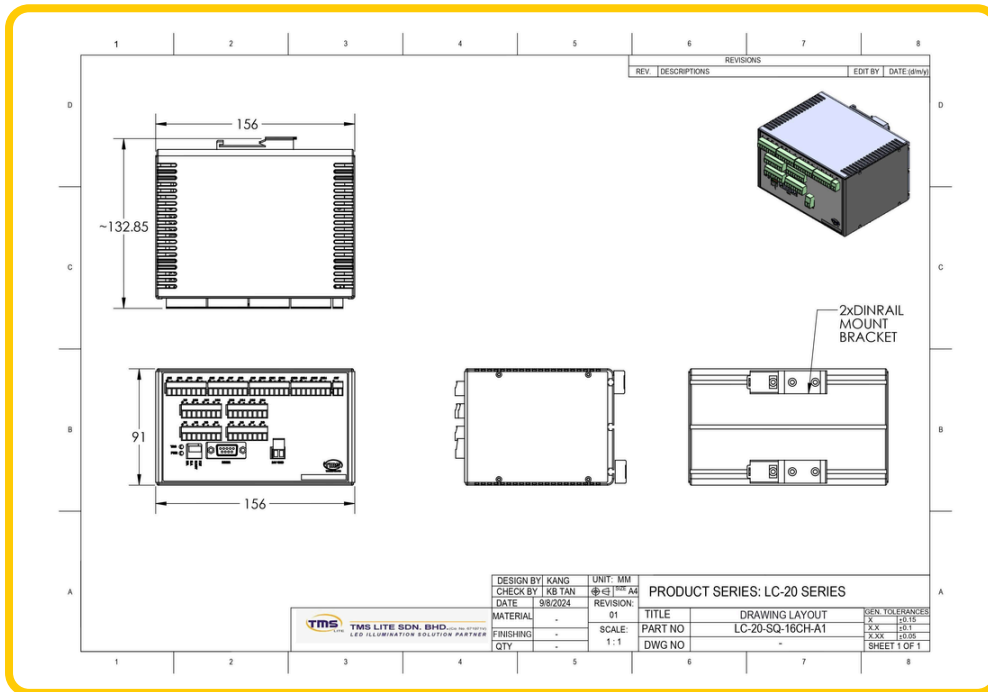
# CONTROLLER DATASHEET

**PART NUMBER: LC-20-SQ-16CH-A1**

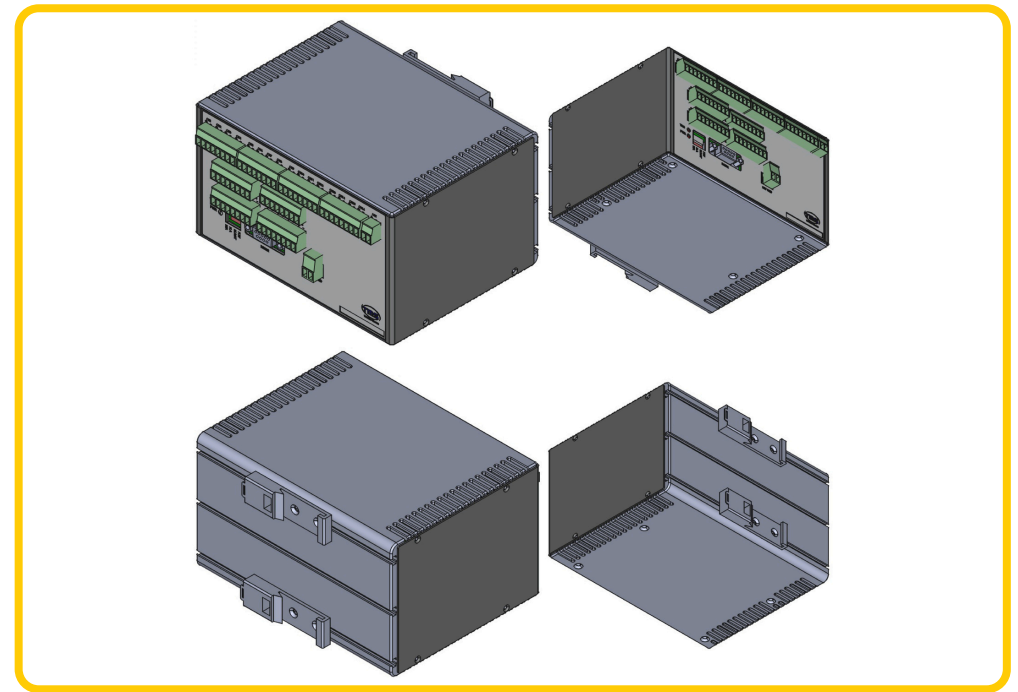


## MECHANICAL PART

### 2D DRAWING



### 3D DRAWING



# CONTROLLER DATASHEET



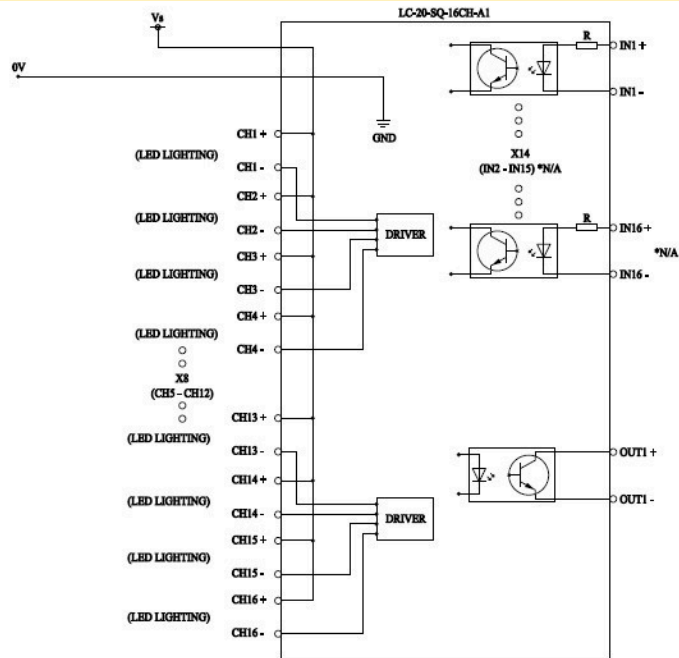
SCAN ME



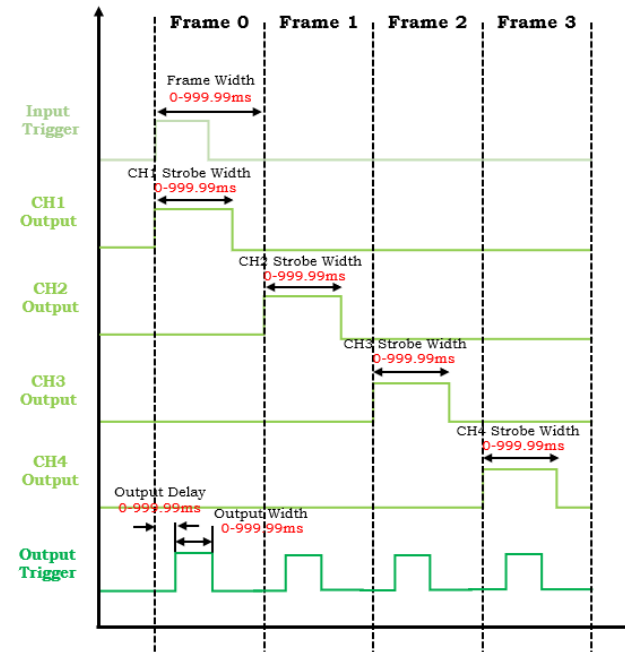
PART NUMBER: LC-20-SQ-16CH-A1

## ELECTRICAL PART

### SCHEMATIC DIAGRAM



### TIMING DIAGRAM



# CONTROLLER DATASHEET



SCAN ME



## WIRING DIAGRAM

