

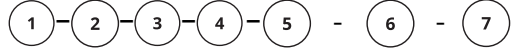


## Part Number:

DK-LC-20-SQ-16CH-PS11.6A-XX

## Product Naming Convention:

DK-LC-20-SQ-16CH-PS11.6A-XX



1. Demo Kit
2. Light Controller
3. Series 20
4. Sequence
5. 16 Channels
6. Power Adapter Current: 11.6A
7. Power Cord Type: EU/US/UK

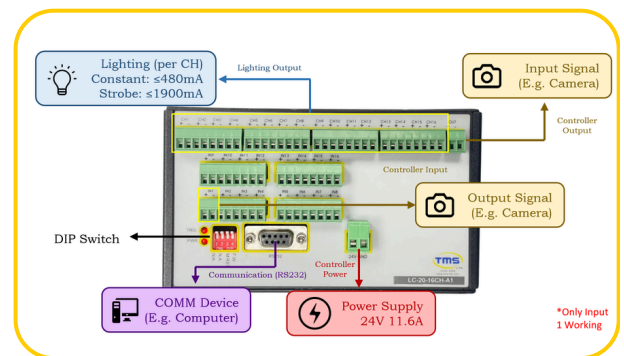
## Specifications:

<b>Type</b>	Digital Controller
<b>Series</b>	LC-20 Series
<b>Dimension</b>	156 x 132.85 x 91 mm
<b>Communication Type</b>	RS232
<b>Controller Supply Voltage</b>	12V ~ 24VDC
<b>Output Current</b>	0.48A (CON), 1.9A (STB) / Channel
<b>Lighting (Input Voltage)</b>	Based on controller supply voltage
<b>Lighting (Output Voltage)</b>	Based on controller supply voltage
<b>Digital Input</b>	1
<b>Digital Output</b>	1
<b>No. of channel</b>	16 Channels
<b>Mode</b>	Constant & Strobe
<b>Strobe Width</b>	0 – 999.99ms (0.01ms / step)
<b>Trigger Delay</b>	≤ 25us

## Box Dimension:

L ?? x W ?? x H ??

## Application



## Features

- Intensity control for LED lightings in machine vision applications
- 16 channels with individual settings
- 2 modes of operation for diverse application support

## Advantages

- Programmability
- Able to control multiple lighting
- Software control
- Able to sequence

## Benefits

- Fast respond in strobing
- Easy to install