



Part Number:

LC-20-SQ-16CH-A1

Product Naming Convention:

LC-20-SQ-16CH-A1

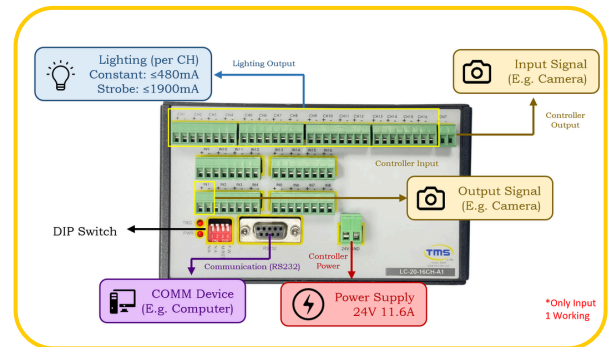


1. Light Controller
2. Series 20
3. Sequence
4. 16 Channels
5. Version

Specifications:

Type	Digital Controller
Series	LC-20 Series
Dimension	156 x 132.85 x 91 mm
Communication Type	RS232
Controller Supply Voltage	12V ~ 24VDC
Output Current	0.48A (CON), 1.9A (STB) / Channel
Lighting (Input Voltage)	Based on controller supply voltage
Lighting (Output Voltage)	Based on controller supply voltage
Digital Input	1
Digital Output	1
No. of channel	16 Channels
Mode	Constant & Strobe
Strobe Width	0 - 999.99ms (0.01ms / step)
Trigger Delay	≤ 25us

Application



Features

- Intensity control for LED lightings in machine vision applications
- 16 channels with individual settings
- 2 modes of operation for diverse application support

Advantages

- Programmability
- Able to control multiple lighting
- Software control
- Able to sequence

Benefits

- Fast respond in strobing
- Easy to install