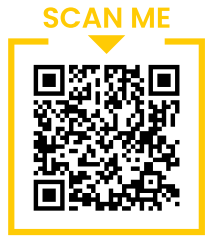


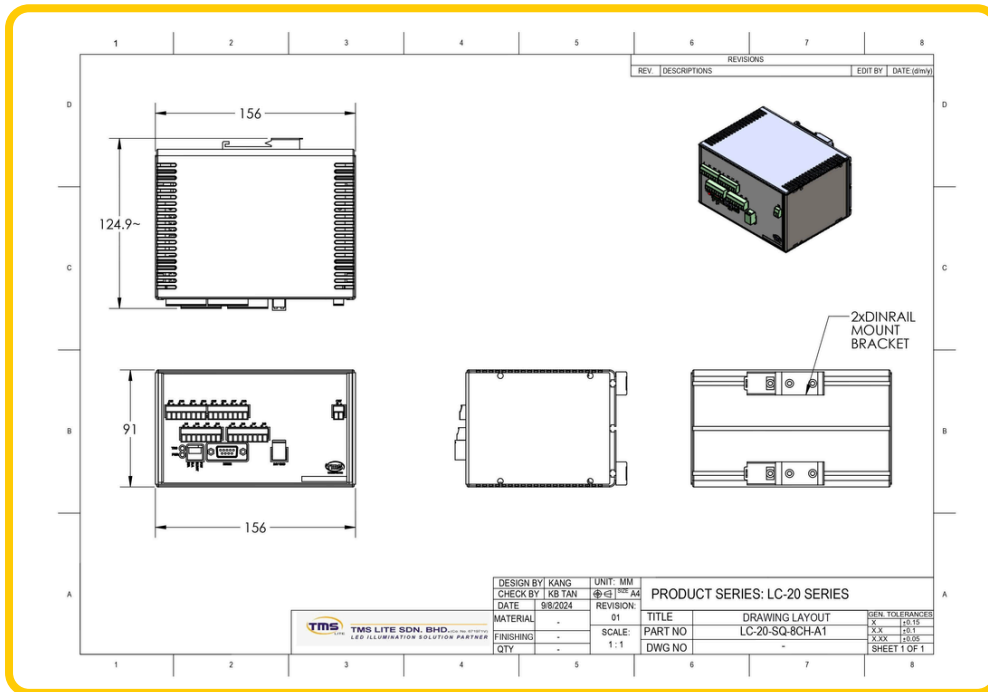
# CONTROLLER DATASHEET

PART NUMBER: LC-20-SQ-8CH-A1

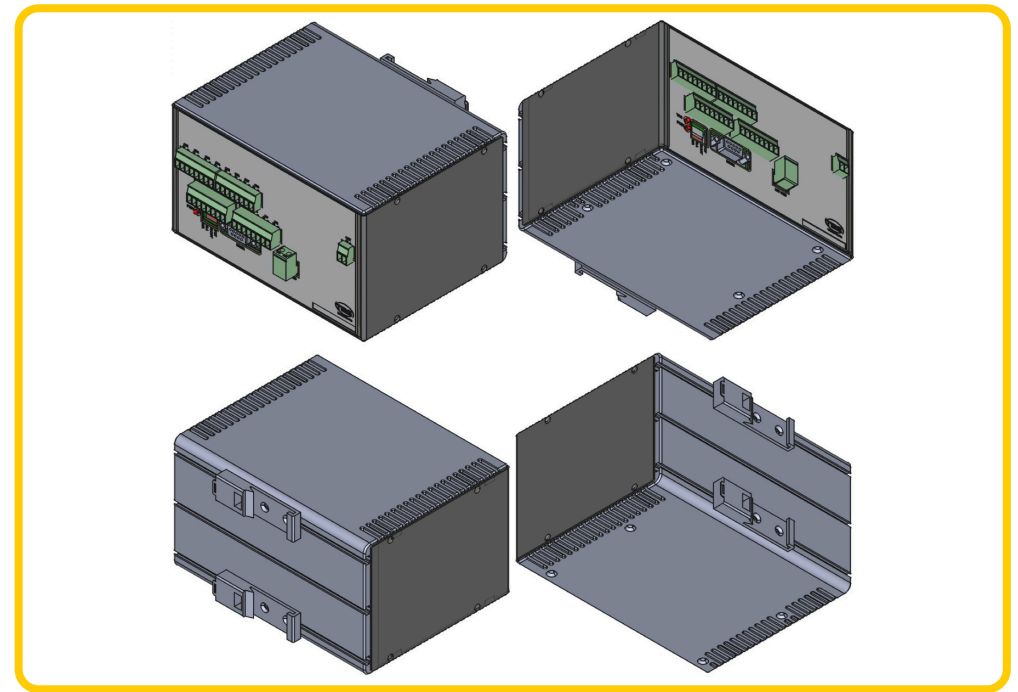


## MECHANICAL PART

### 2D DRAWING



### 3D DRAWING



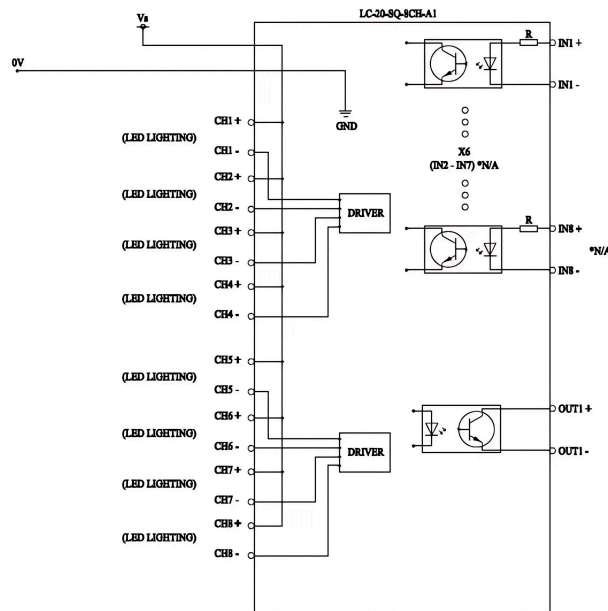
# CONTROLLER DATASHEET

PART NUMBER: LC-20-SQ-8CH-A1

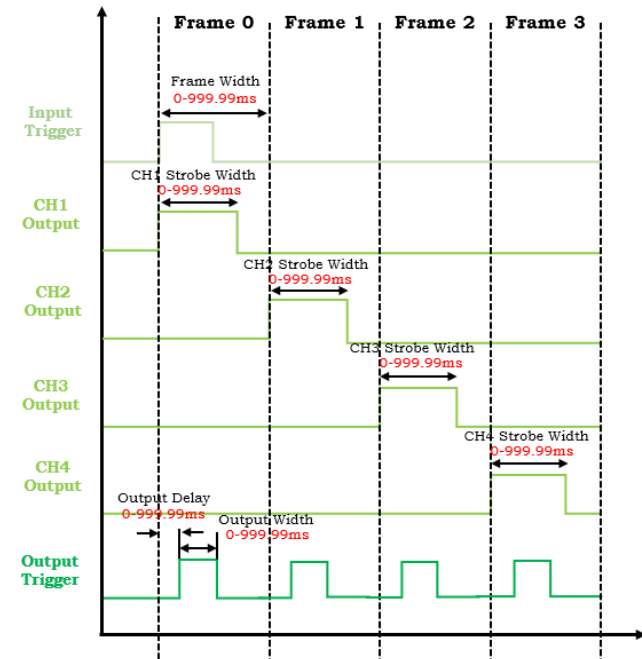


## ELECTRICAL PART

### SCHEMATIC DIAGRAM



### TIMING DIAGRAM



# CONTROLLER DATASHEET



SCAN ME



## WIRING DIAGRAM

