

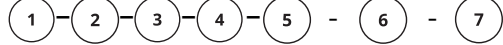


Part Number:

DK-LC-20-SQ-8CH-PS11.6A-XX

Product Naming Convention:

DK-LC-20-SQ-8CH-PS11.6A-XX



1. Demo Kit
2. Light Controller
3. Series 20
4. Sequence
5. 8 Channels
6. Power Adapter Current: 11.6A
7. Power Cord Type: EU/US/UK

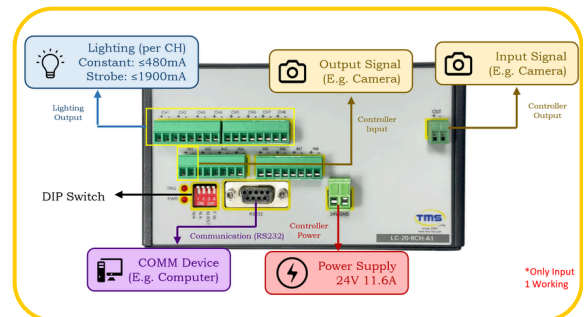
Specifications:

Type	Digital Controller
Series	LC-20 Series
Dimension	156 x 124.9 x 91 mm
Communication Type	RS232
Controller Supply Voltage	12V ~ 24VDC
Output Current	0.48A (CON), 1.9A (STB) / Channel
Lighting (Input Voltage)	Based on controller supply voltage
Lighting (Output Voltage)	Based on controller supply voltage
Digital Input	1
Digital Output	1
No. of channel	8 Channels
Mode	Constant & Strobe
Strobe Width	0 – 999.99ms (0.01ms / step)
Trigger Delay	≤ 25us

Box Dimension:

L ?? x W ?? x H ??

Application



Features

- Intensity control for LED lightings in machine vision applications
- 8 channels with individual settings
- 2 modes of operation for diverse application support

Advantages

- Programmability
- Able to control multiple lighting
- Software control
- Able to sequence

Benefits

- Fast respond in strobing
- Easy to install