

CONTROLLER DATASHEET



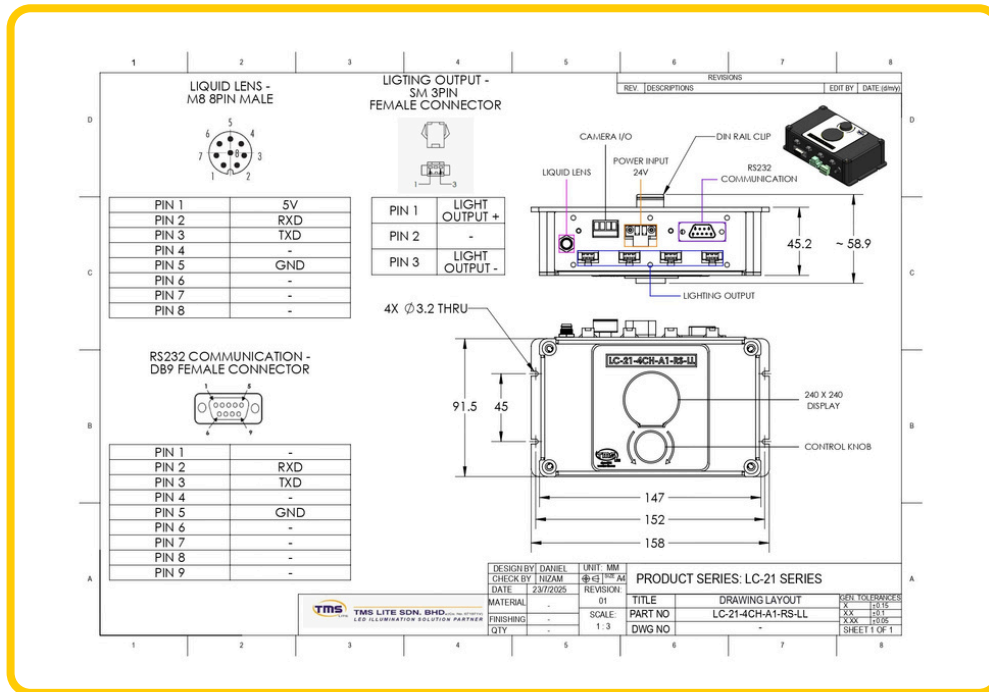
SCAN ME



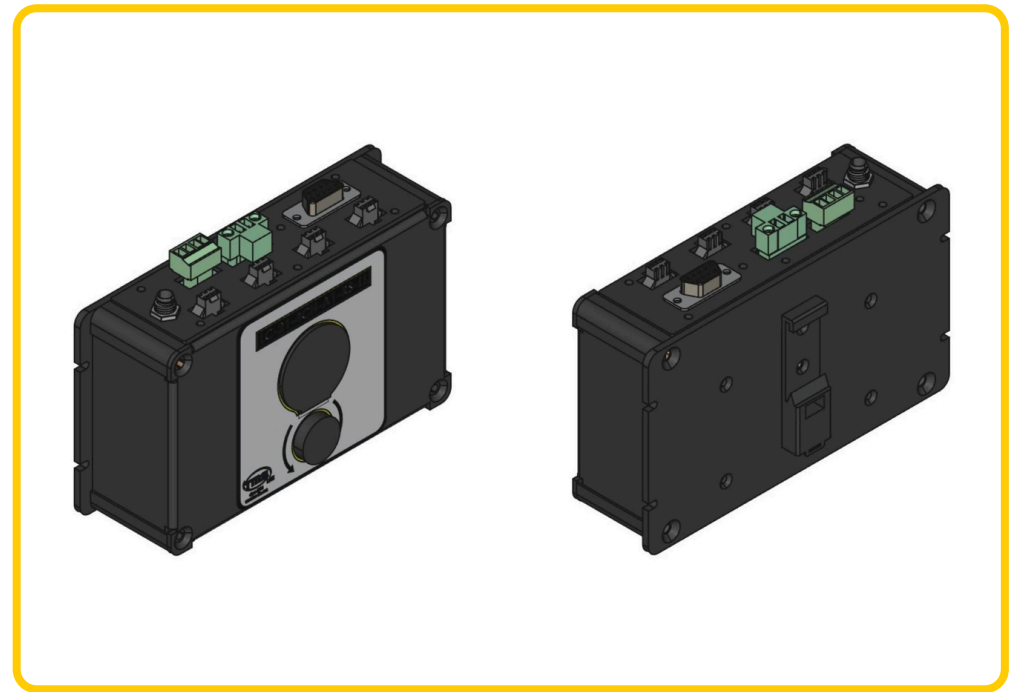
PART NUMBER: LC-21-4CH-A1-RS-LL

MECHANICAL PART

2D DRAWING

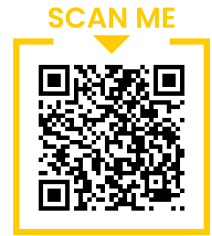


3D DRAWING



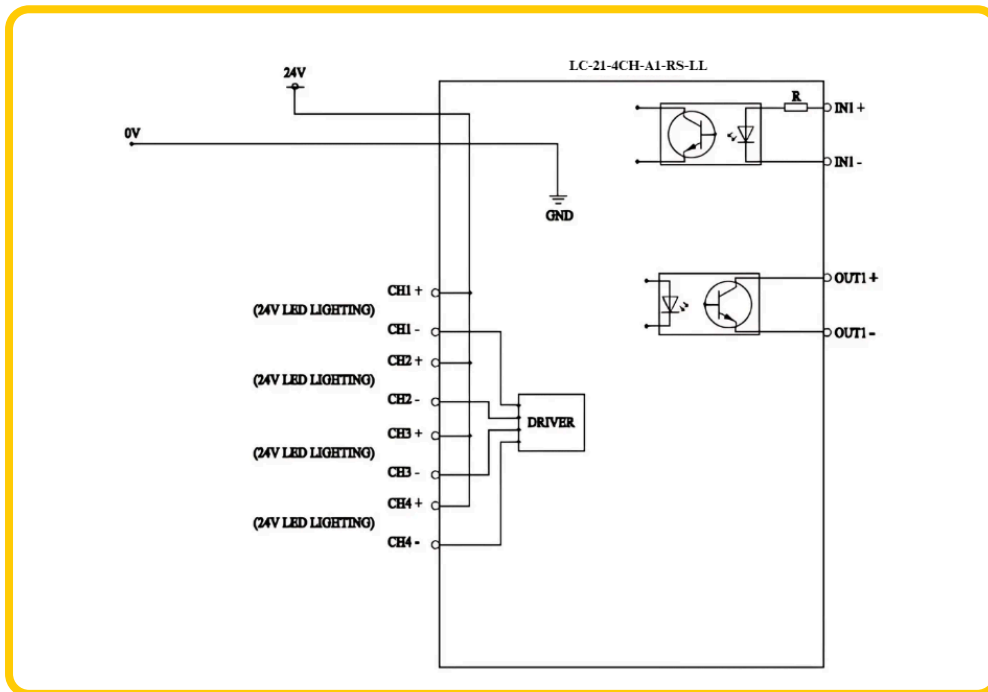
CONTROLLER DATASHEET

PART NUMBER: LC-21-4CH-A1-RS-LL

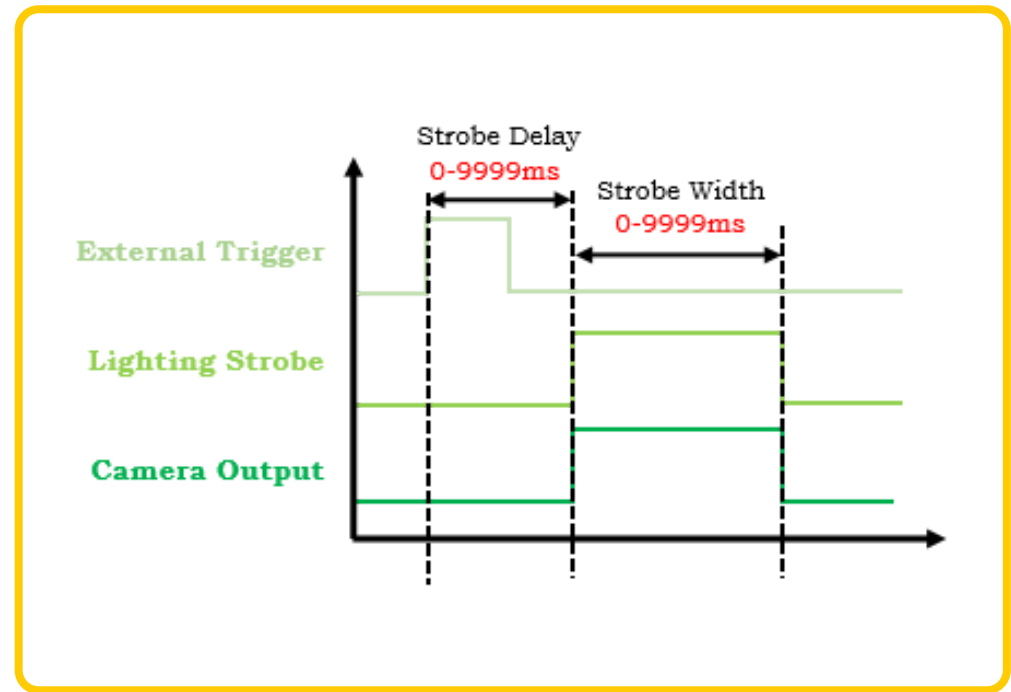


ELECTRICAL PART

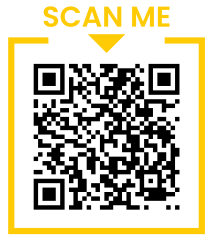
SCHEMATIC DIAGRAM



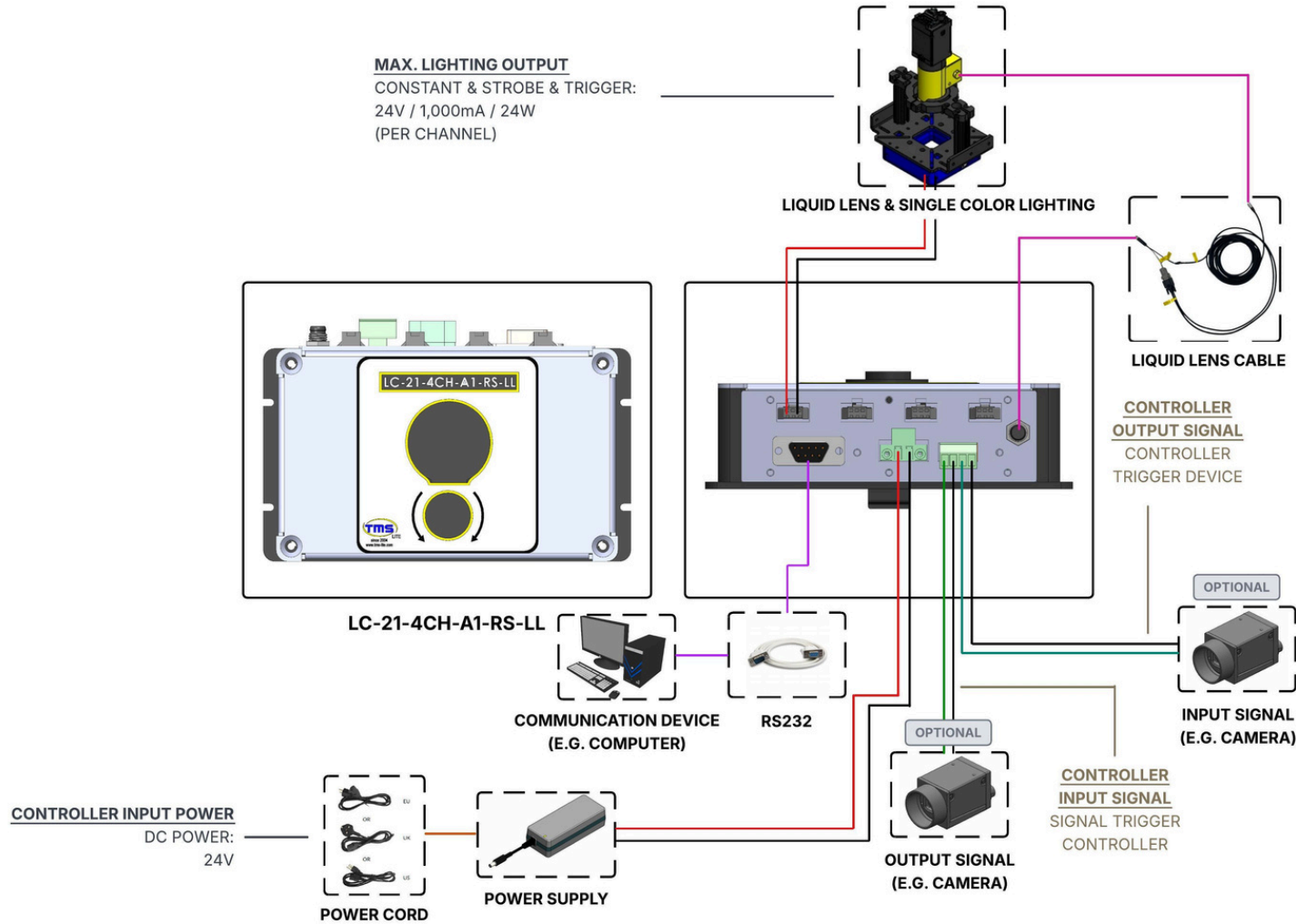
TIMING DIAGRAM



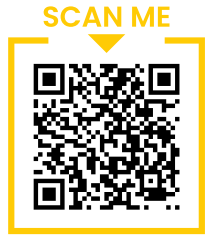
CONTROLLER DATASHEET



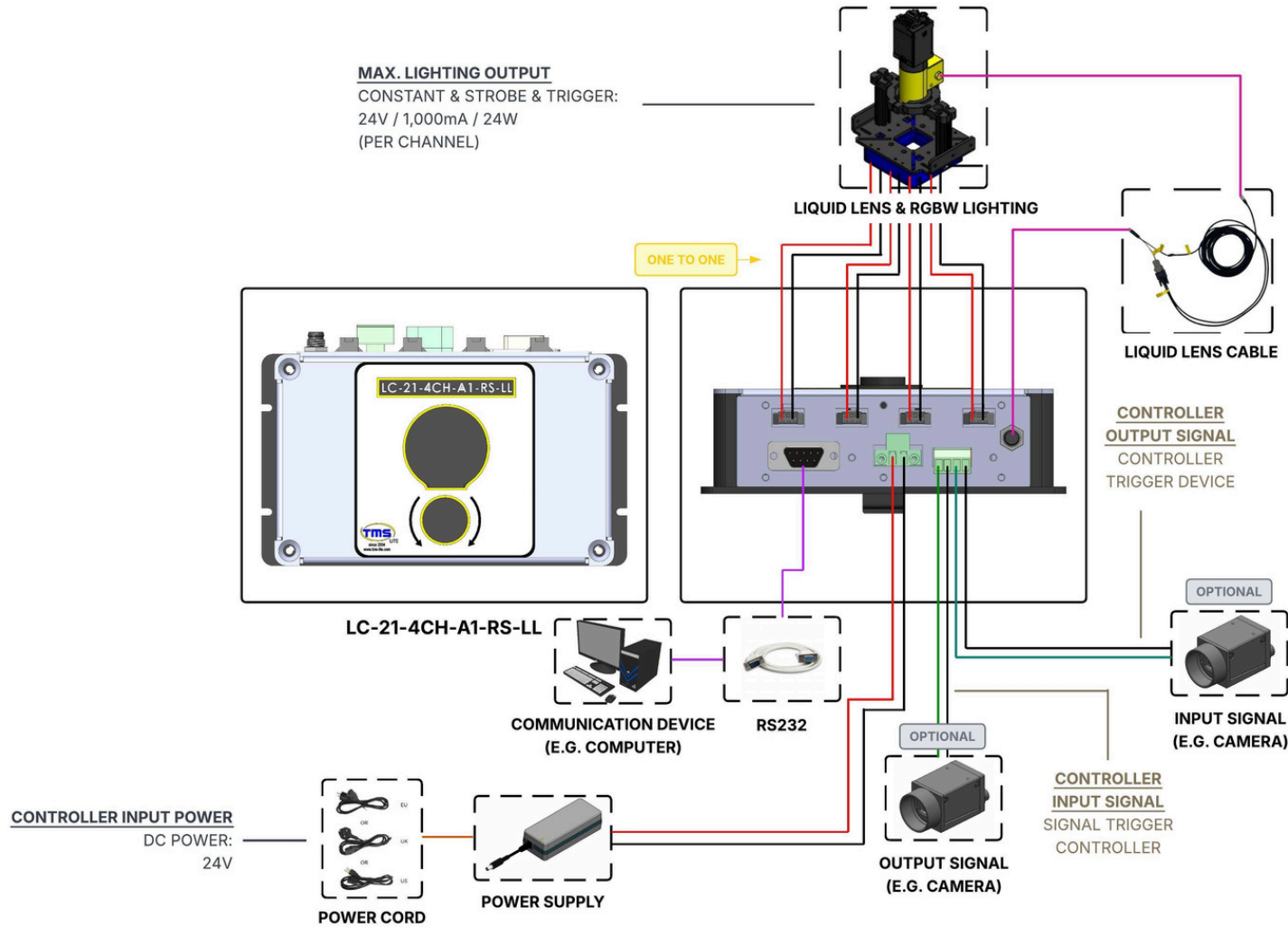
WIRING DIAGRAM (SINGLE)



CONTROLLER DATASHEET



WIRING DIAGRAM (RGBW)



CONTROLLER DATASHEET

3D WIRING DIAGRAM (RGBW)

