

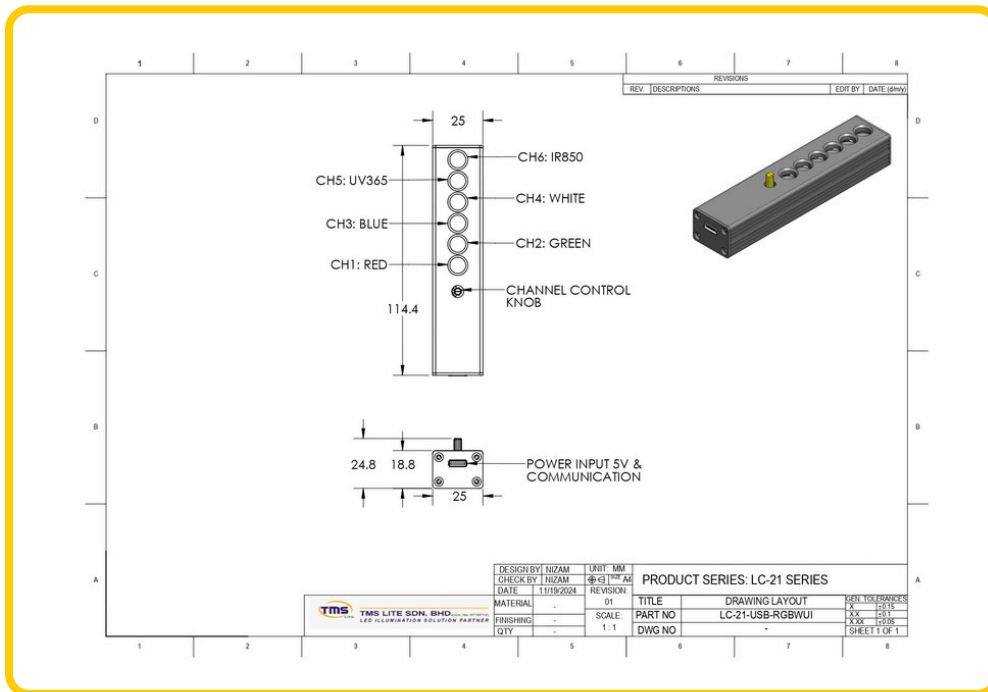
CONTROLLER DATASHEET

PART NUMBER: LC-21-USB-RGBWUI

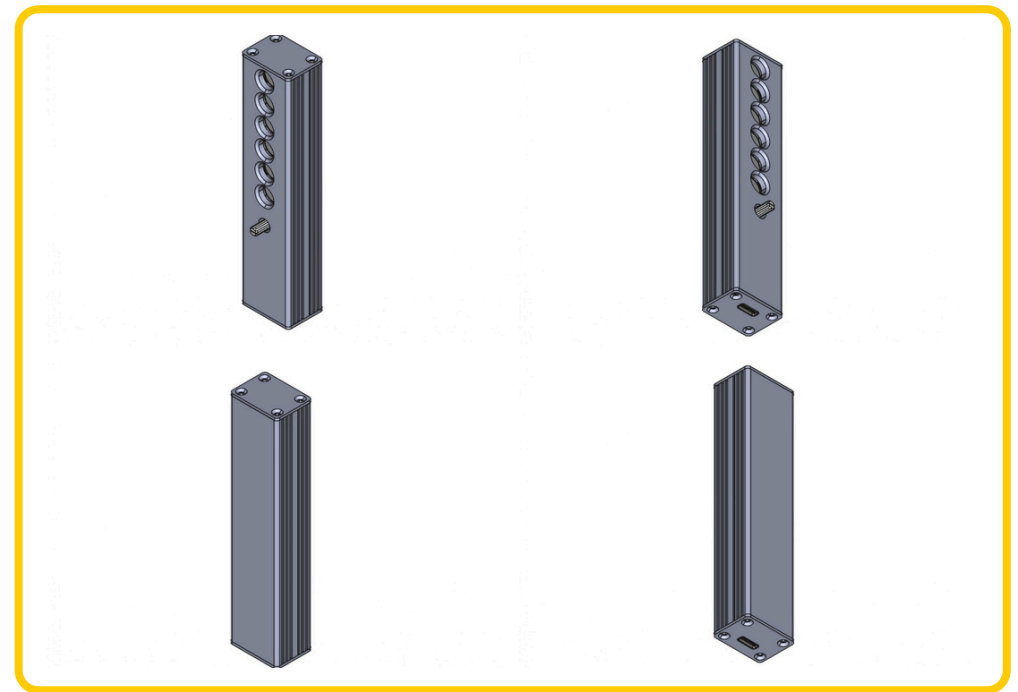


MECHANICAL PART

2D DRAWING

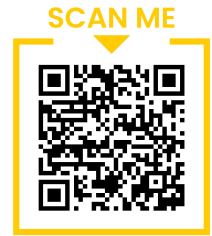


3D DRAWING



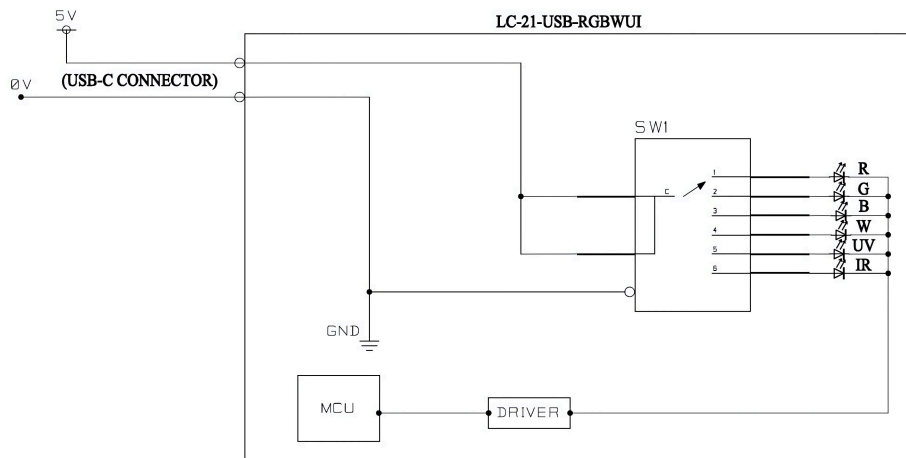
CONTROLLER DATASHEET

PART NUMBER: LC-21-USB-RGBWUI



ELECTRICAL PART

SCHEMATIC DIAGRAM



TIMING DIAGRAM

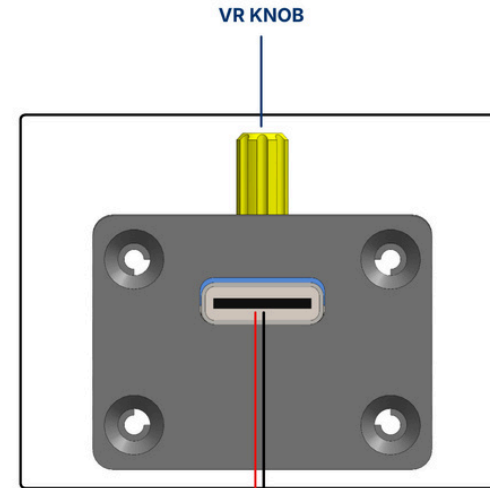
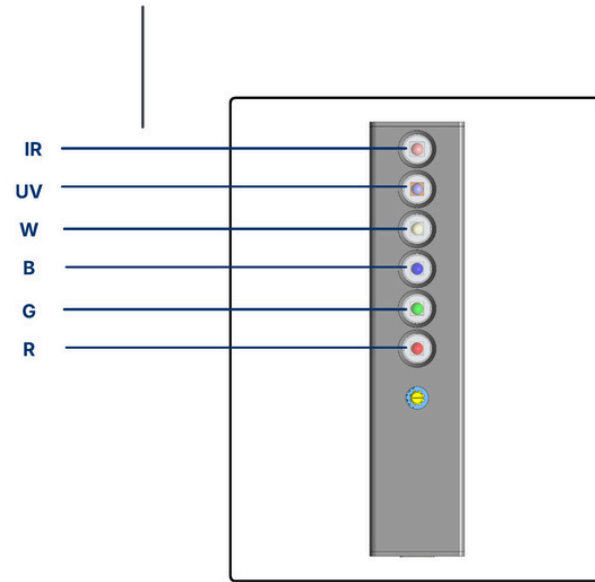
N/A

CONTROLLER DATASHEET



WIRING DIAGRAM

MAX. LIGHTING OUTPUT
CONSTANT:
5V / 400mA / 2W
(PER CHANNEL)



CONTROLLER INPUT POWER

DC POWER:
5V

LIGHTING INPUT POWER

DC POWER:
5V



TYPE C
USB CABLE



5V POWER SUPPLY
(E.G. COMPUTER)