



Part Number:

LC-21-USB-RGBWUI

Product Naming Convention:

LC-21-USB-RGBWUI

(1) - (2) - (3) - (4)

1. Light Controller

2. Series 21

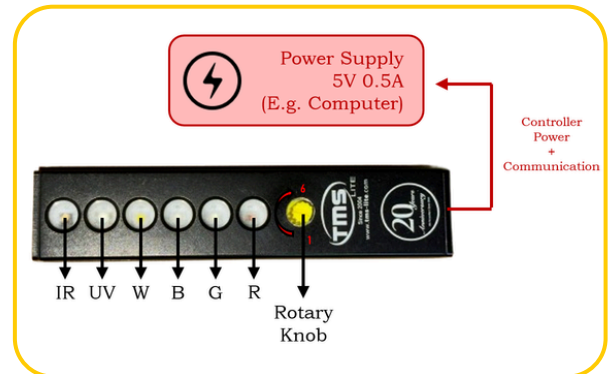
3. USB Interface

4. Red, Green, Blue, White, UV, IR LED

Specifications:

Type	Digital Controller
Series	LC-21 Series
Dimension	114.4 x 25 x 24.8 mm
Communication Type	USB
Controller Supply Voltage	5VDC
Output Current	400mA / Channel
Lighting (Input Voltage)	Based on controller supply voltage
Lighting (Output Voltage)	Based on controller supply voltage
Digital Input	N/A
Digital Output	N/A
No. of channel	1 Channel (Red, Green, Blue, White, UV, IR)
Mode	Constant
Strobe Width	N/A
Trigger Delay	N/A

Application



Features

- Include common colors at once
- LED built-in

Advantages

- Can be used as a color tester
- Easy to power as USB power is widely available and convenient
- Space efficiency

Benefits

- Compact and light weight
- Plug and play
- Portability
- Energy efficiency