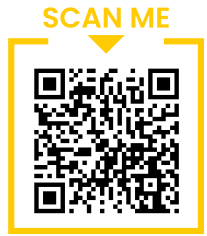


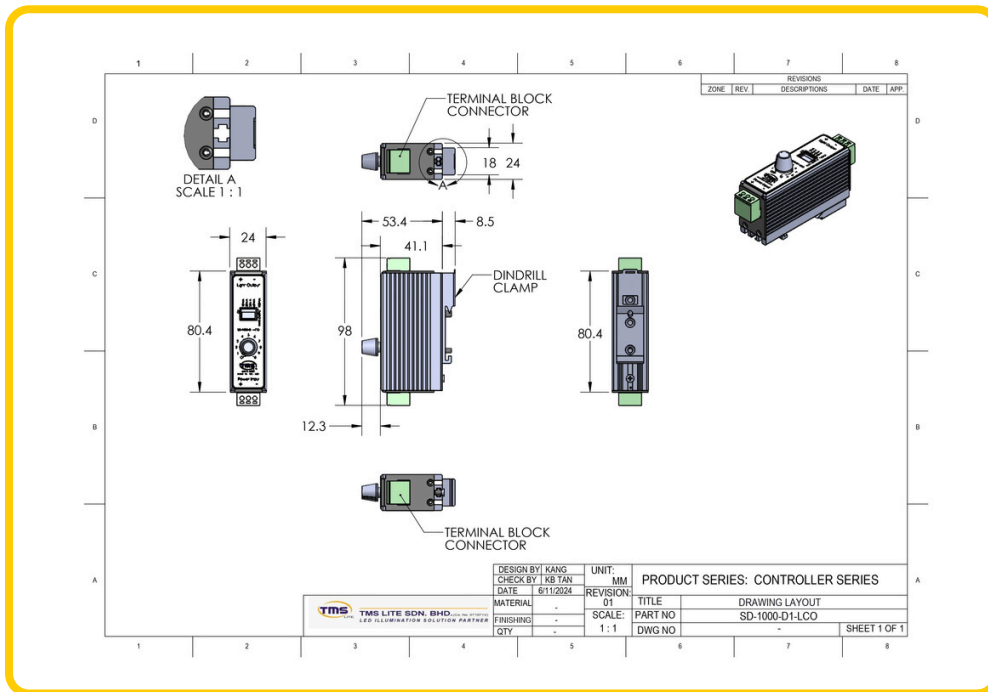
CONTROLLER DATASHEET



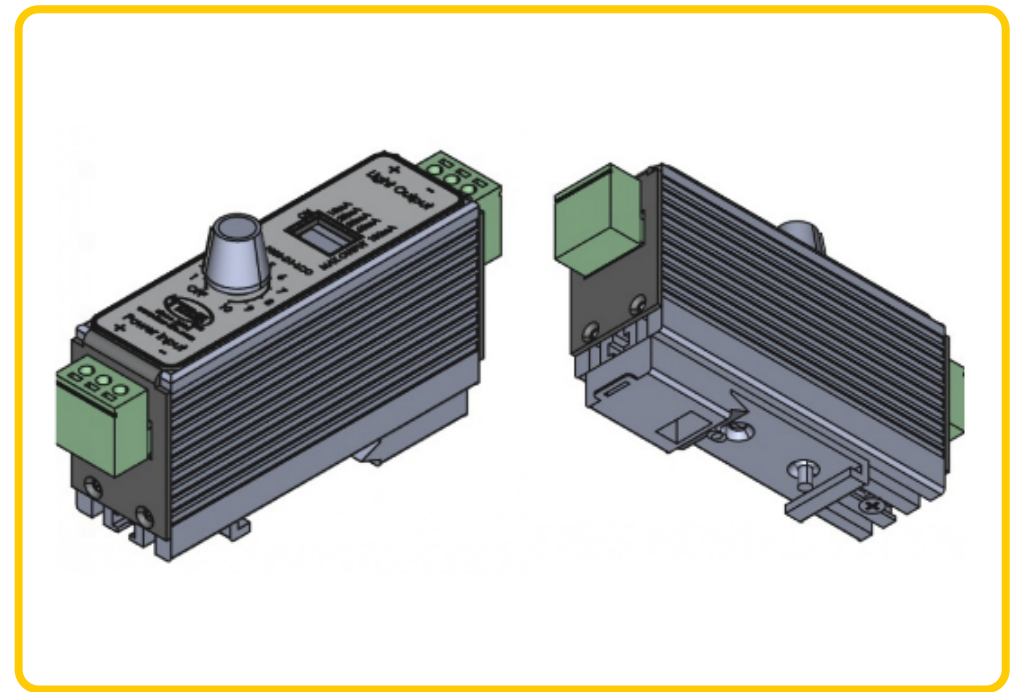
PART NUMBER: SD-1000-D1-LCO

MECHANICAL PART

2D DRAWING

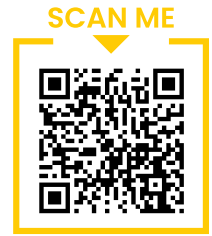


3D DRAWING



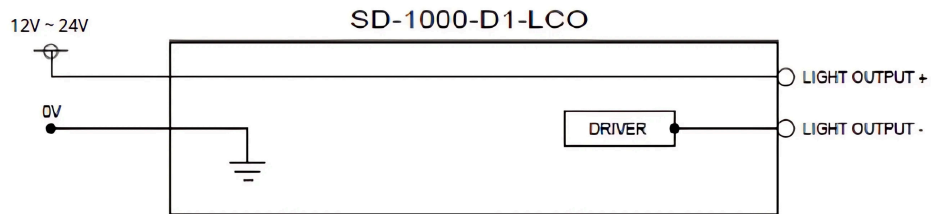
CONTROLLER DATASHEET

PART NUMBER: SD-1000-D1-LCO



ELECTRICAL PART

SCHEMATIC DIAGRAM



TIMING DIAGRAM

N/A

CONTROLLER DATASHEET



WIRING DIAGRAM

