



Part Number:

DK-SD-1000-D1-LCO-PS2.5A-XX

Product Naming Convention:

DK-SD-1000-D1-LCO-PS2.5A-XX

① - ② - ③ - ④ - ⑤ - ⑥ - ⑦

1. Demo Kit
2. Light Controller
3. 1 Channel
4. Version
5. Low Current Output
6. Power Adapter Current: 2.5A
7. Power Cord Type: EU/US/UK

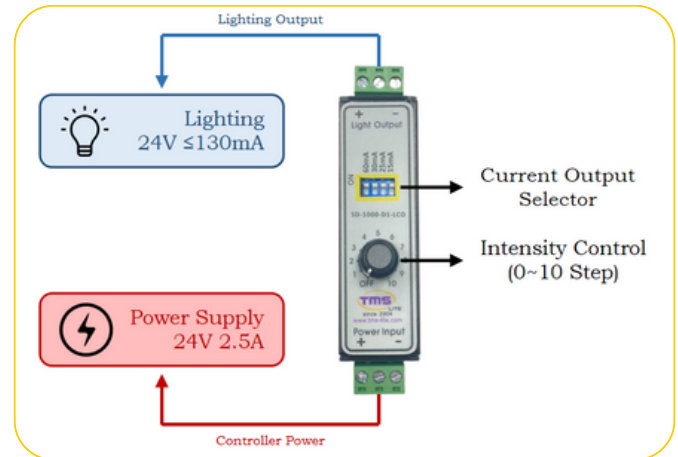
Specifications:

Type	Analog Controller
Series	SD Series
Dimension	98 x 24 x 61.9 mm
Communication Type	N/A
Controller Supply Voltage	12V ~ 24VDC
Output Current	0.13A / Channel
Lighting (Input Voltage)	Based on controller supply voltage
Lighting (Output Voltage)	Based on controller supply voltage
Digital Input	0
Digital Output	0
No. of channel	1 Channel
Mode	Constant
Strobe Width	N/A
Trigger Delay	N/A

Box Dimension:

L 250 x W 140 x H 165

Application



Features

- Support DIN rail
- Easy to adjust
- Provides analog intensity control for low current LED lighting in machine vision applications

Advantages

- Availability of rotary knob functionality for intensity control
- Output current can be adjusted

Benefits

- Compact in size and easy to use