



Part Number:

DK-ST-1000-A1-PS2.5A-XX

Product Naming Convention:

DK-ST-1000-A1-PS2.5A-XX

① - ② - ③ - ④ - ⑤ - ⑥

1. Demo Kit
2. Strobe Light Controller
3. 1 Channel
4. Version
5. Power Adapter Current: 2.5A
6. Power Cord Type: EU/US/UK

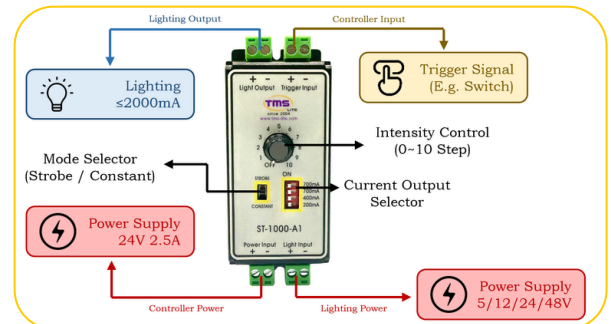
Specifications:

Type	Analog Controller
Series	ST Series
Dimension	96 x 40.5 x 62.7 mm
Communication Type	N/A
Controller Supply Voltage	12V ~ 24VDC
Output Current	2A / Channel
Lighting (Input Voltage)	5V / 12V / 24V DC
Lighting (Output Voltage)	Based on lighting input voltage
Digital Input	1
Digital Output	0
No. of channel	1 Channel
Mode	Constant & Strobe
Strobe Width	N/A
Trigger Delay	N/A

Box Dimension:

L 250 x W 140 x H 165

Application



Features

- Support DIN rail
- Easy to adjust
- Provides analog intensity control for LED lighting in machine vision applications
- Controller and lighting input power separated

Advantages

- Availability of rotary knob functionality for intensity control
- Output current can be adjusted
- Trigger functionality available

Benefits

- Compact in size and easy to use