



Part Number:

ST-1000-A1

Product Naming Convention:

ST-1000-A1

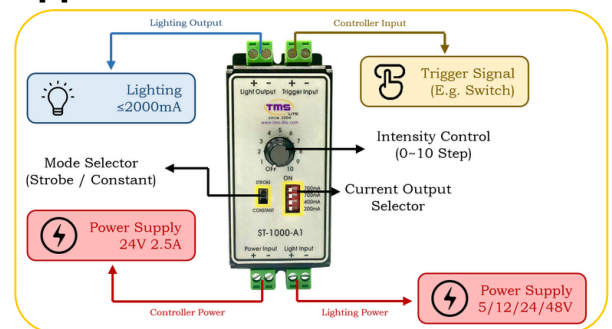
1 - 2 - 3

1. Strobe Light Controller
2. 1 Channel
3. Version

Specifications:

| | |
|----------------------------------|---------------------------------|
| Type | Analog Controller |
| Series | ST Series |
| Dimension | 96 x 40.5 x 62.7 mm |
| Communication Type | N/A |
| Controller Supply Voltage | 12V ~ 24VDC |
| Output Current | 2A / Channel |
| Lighting (Input Voltage) | 5V / 12V / 24V DC |
| Lighting (Output Voltage) | Based on lighting input voltage |
| Digital Input | 1 |
| Digital Output | 0 |
| No. of channel | 1 Channel |
| Mode | Constant & Strobe |
| Strobe Width | N/A |
| Trigger Delay | N/A |

Application



Features

- Support DIN rail
- Easy to adjust
- Provides analog intensity control for LED lighting in machine vision applications
- Controller and lighting input power separated

Advantages

- Availability of rotary knob functionality for intensity control
- Output current can be adjusted
- Trigger functionality available

Benefits

- Compact in size and easy to use